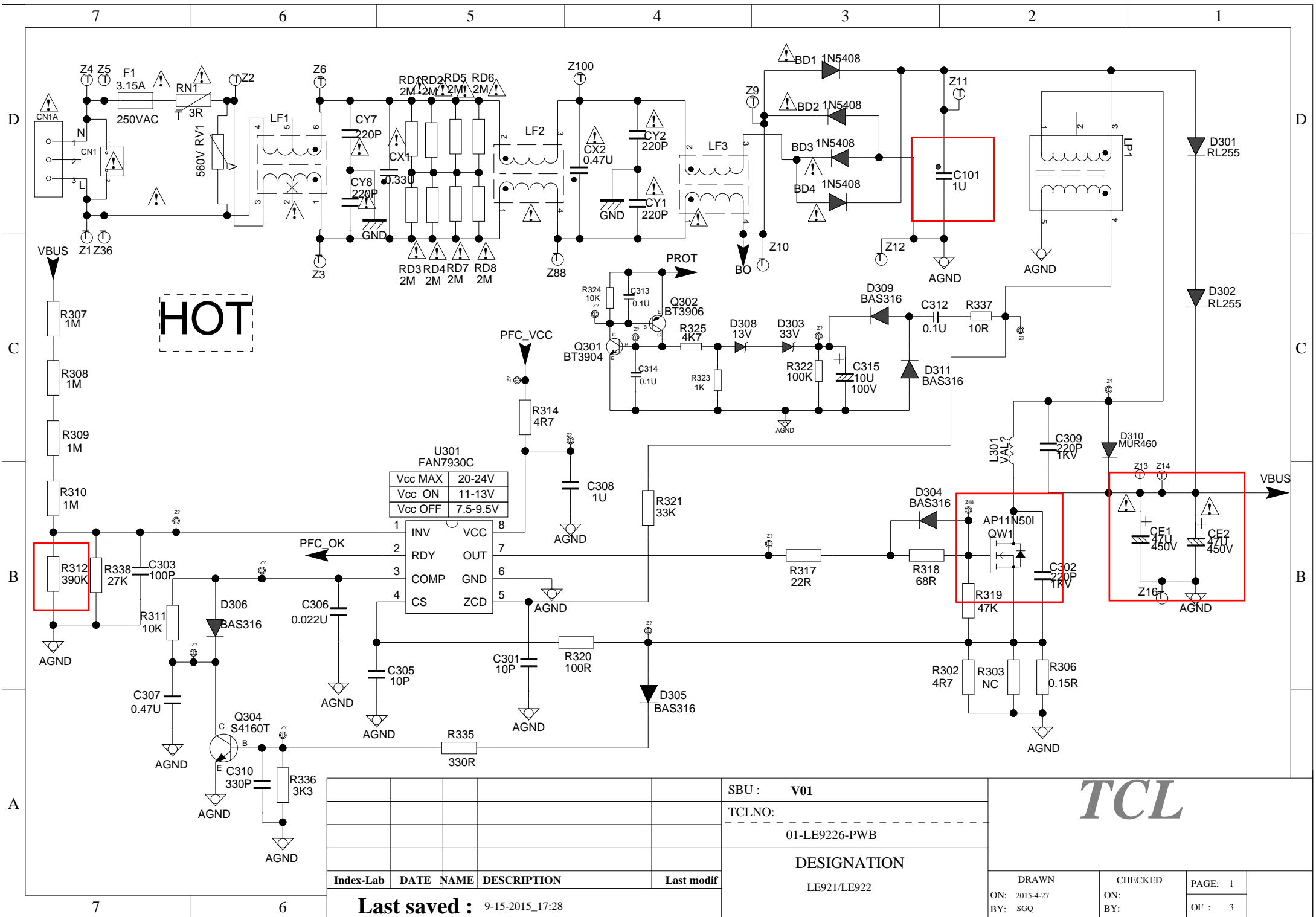


THIS DRAWING CANNOT BE COMMUNICATED TO UNAUTHORIZED PERSONS COPIED/UNLESS PERMITTED IN WRITING



Index-Lab	DATE	NAME	DESCRIPTION	Last modif

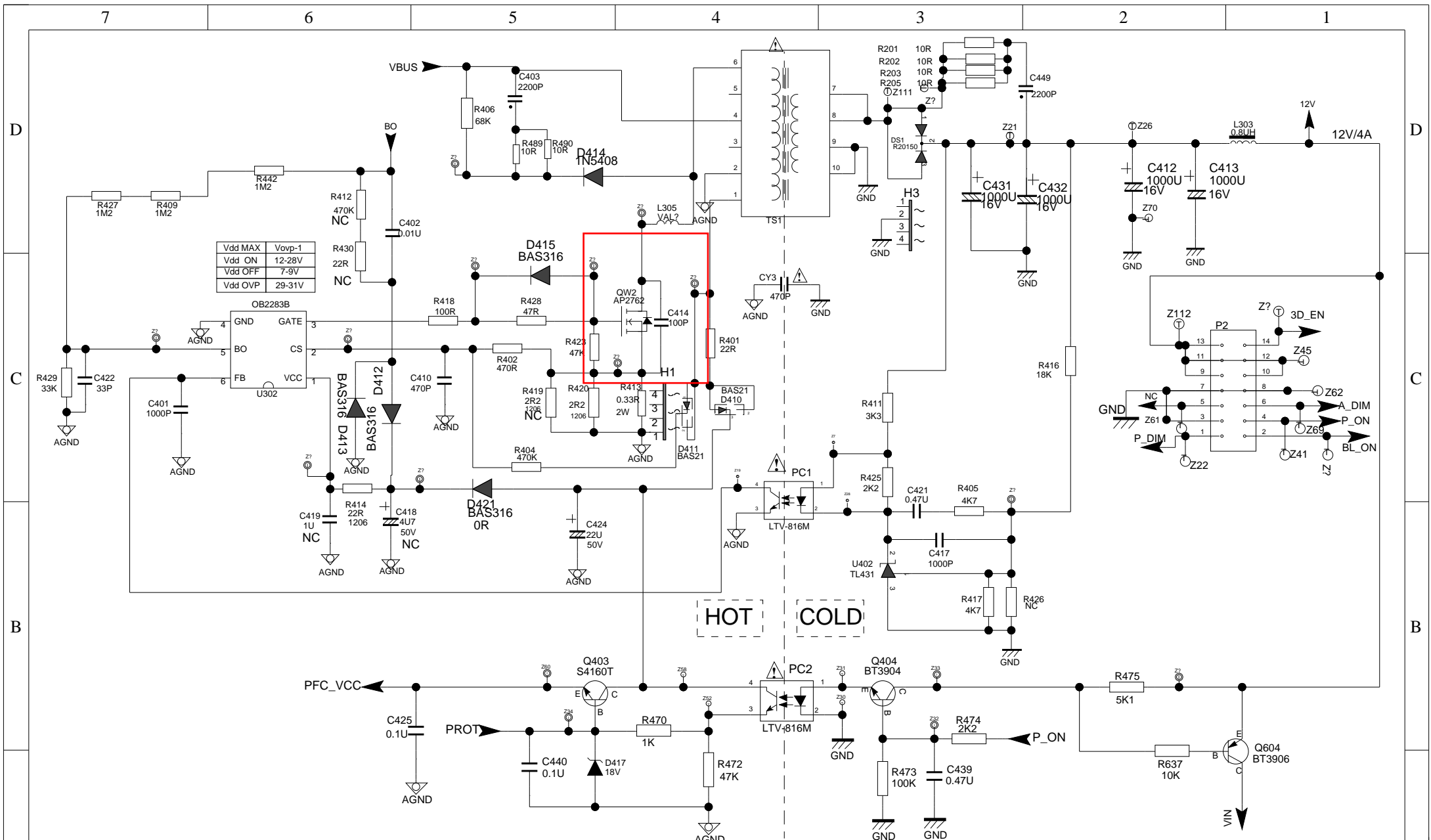
SBU : V01
 TCLNO: 01-LE9226-PWB
 DESIGNATION
 LE921/LE922

TCL

DRAWN ON: 2015-4-27 BY: SGQ	CHECKED ON: BY:	PAGE: 1 OF : 3
-----------------------------------	-----------------------	-------------------

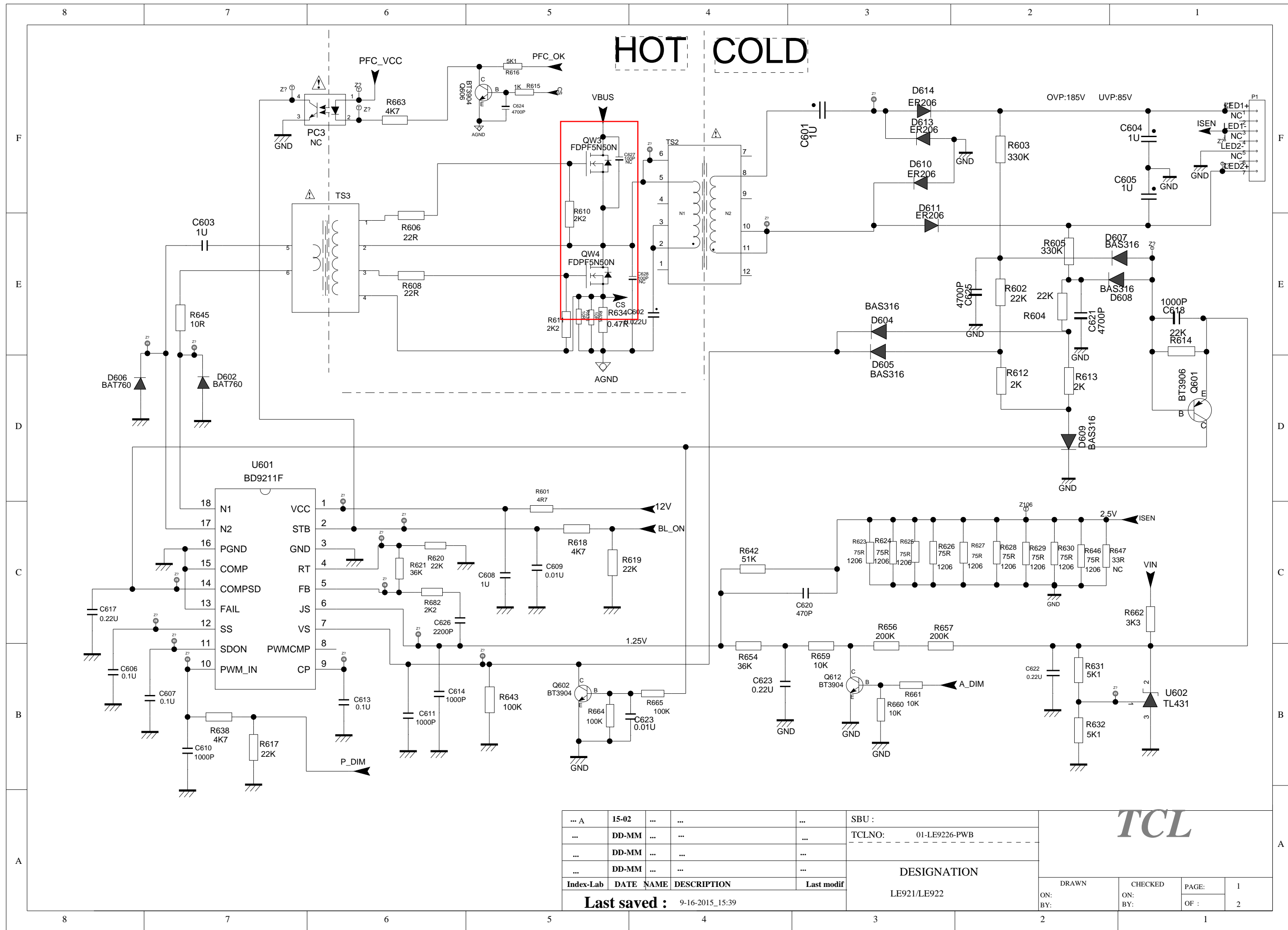
Last saved : 9-15-2015_17:28

THIS DRAWING CANNOT BE COMMUNICATED TO UNAUTHORIZED PERSONS COPIED UNLESS PERMITTED IN WRITING



					SBU :	V01		TCL		
					TCLNO:	01-LE9226-PWB				
					DESIGNATION			DRAWN ON: 2015-4-24 BY: SGQ		
					LE921/LE922					
					Last saved : 9-15-2015_17:48			PAGE: 2 OF : 3		

THIS DRAWING CANNOT BE COMMUNICATED TO UNAUTHORIZED PERSONS UNLESS PERMITTED IN WRITING



...	A	15-02	SBU :
...	DD-MM	TCLNO: 01-LE9226-PWB
...	DD-MM	
...	DD-MM	
Index-Lab	DATE	NAME	DESCRIPTION	Last modif		DESIGNATION
						LE921/LE922
Last saved :						9-16-2015_15:39

TCL

ON:	CHECKED	PAGE:	1
BY:	ON:	OF :	2