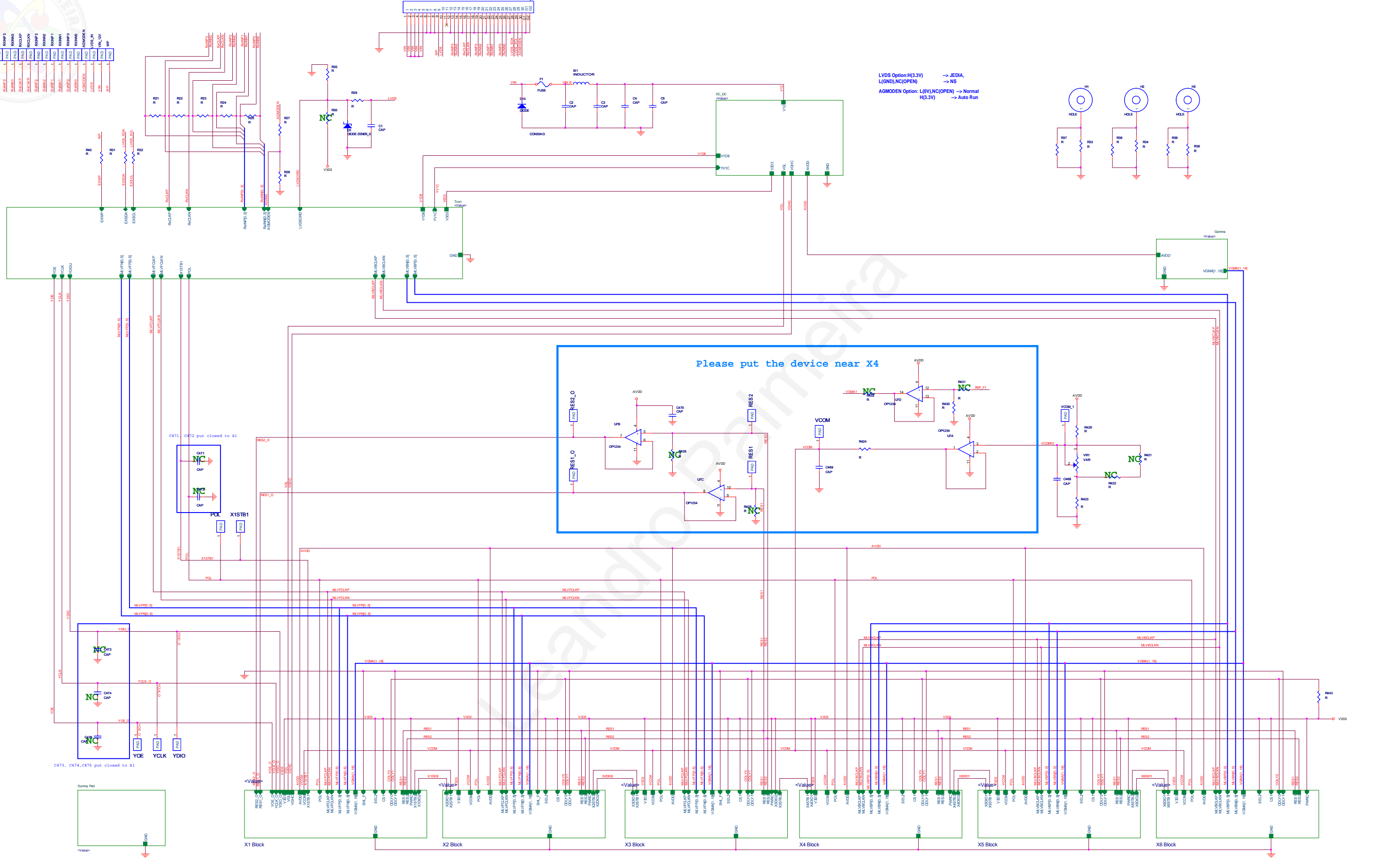
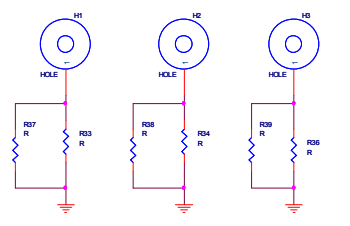
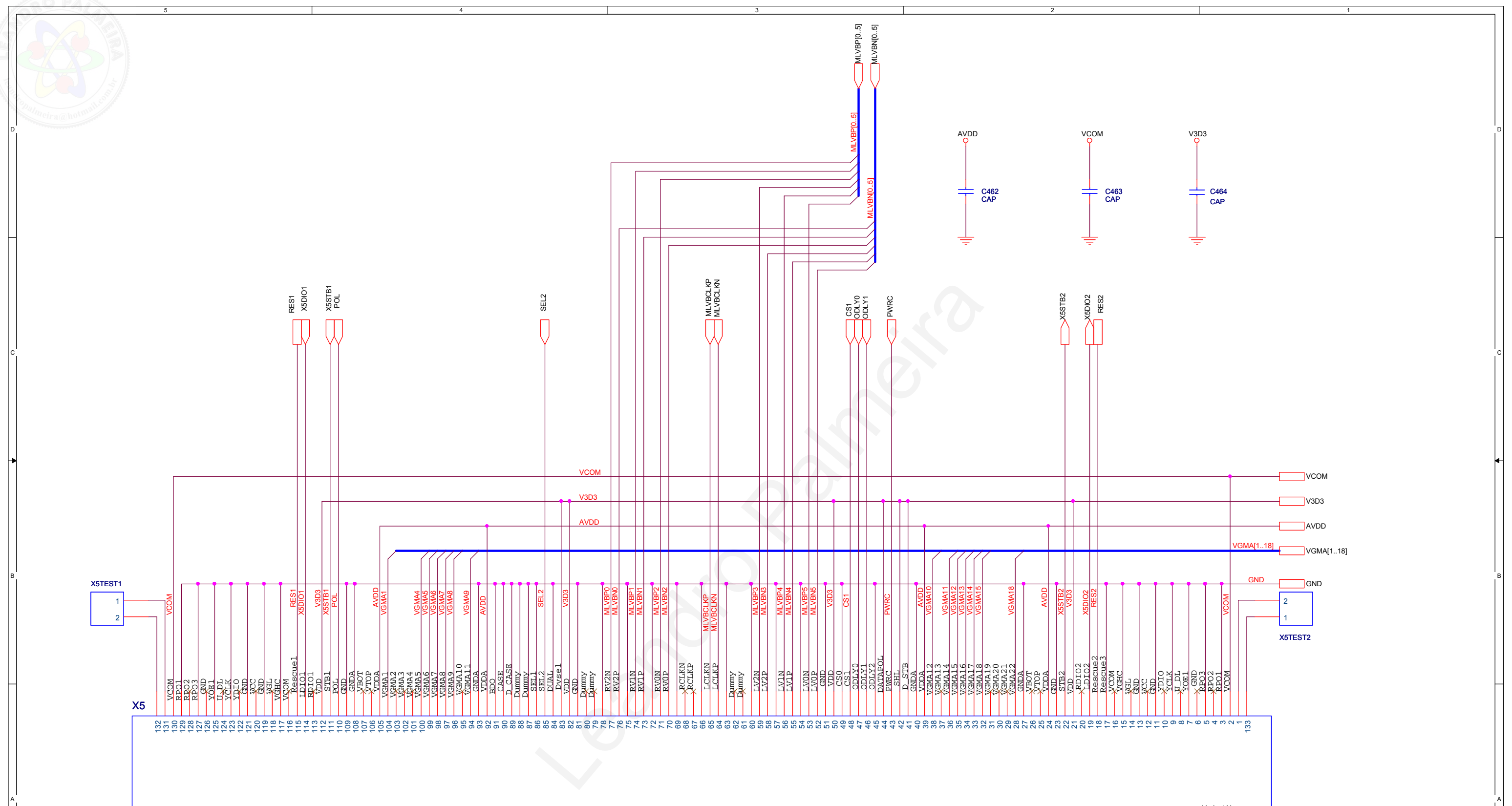
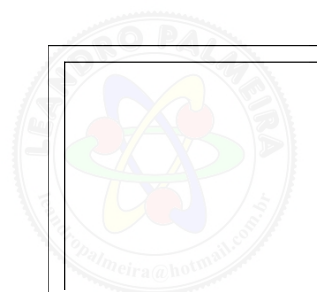


LVDS_0A	LVDS_0A
LVDS_0B	LVDS_0B
LVDS_0C	LVDS_0C
LVDS_0D	LVDS_0D
LVDS_0E	LVDS_0E
LVDS_0F	LVDS_0F
LVDS_0G	LVDS_0G
LVDS_0H	LVDS_0H
LVDS_0I	LVDS_0I
LVDS_0J	LVDS_0J
LVDS_0K	LVDS_0K
LVDS_0L	LVDS_0L
LVDS_0M	LVDS_0M
LVDS_0N	LVDS_0N
LVDS_0O	LVDS_0O
LVDS_0P	LVDS_0P
LVDS_0Q	LVDS_0Q
LVDS_0R	LVDS_0R
LVDS_0S	LVDS_0S
LVDS_0T	LVDS_0T
LVDS_0U	LVDS_0U
LVDS_0V	LVDS_0V
LVDS_0W	LVDS_0W
LVDS_0X	LVDS_0X
LVDS_0Y	LVDS_0Y
LVDS_0Z	LVDS_0Z



LVDS Option:H(3.3V) → JEDIA
 L(GND),NC(OPEN) → NS
 AGMODEN Option: L(0V),NC(OPEN) → Normal
 H(3.3V) → Auto Run

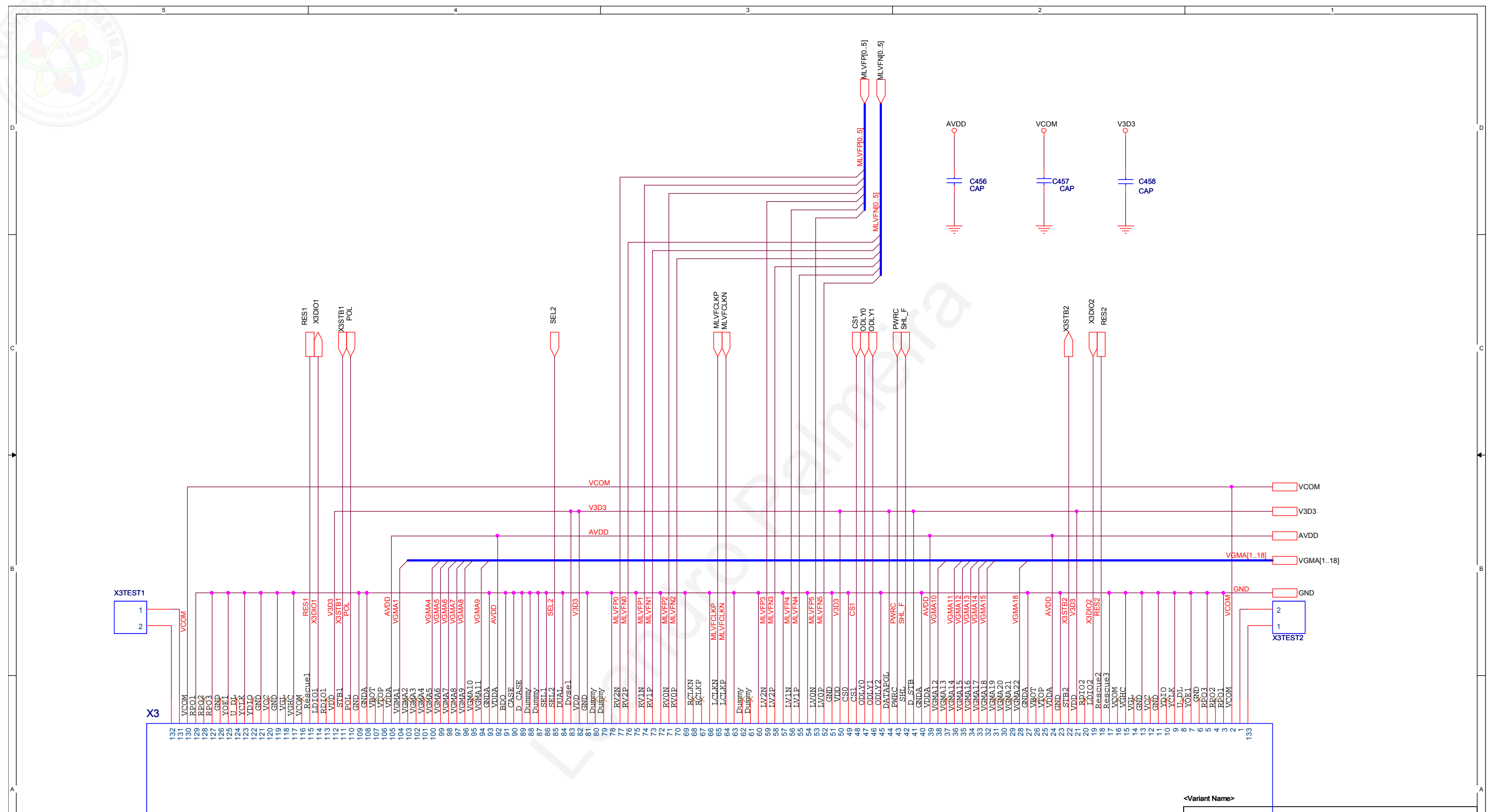
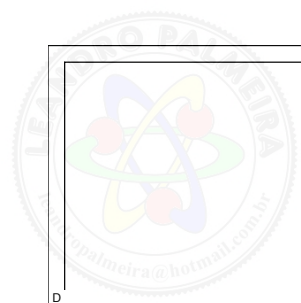




TAB133

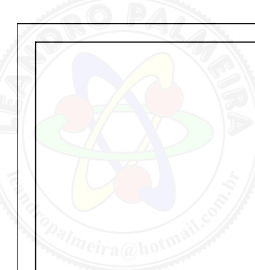
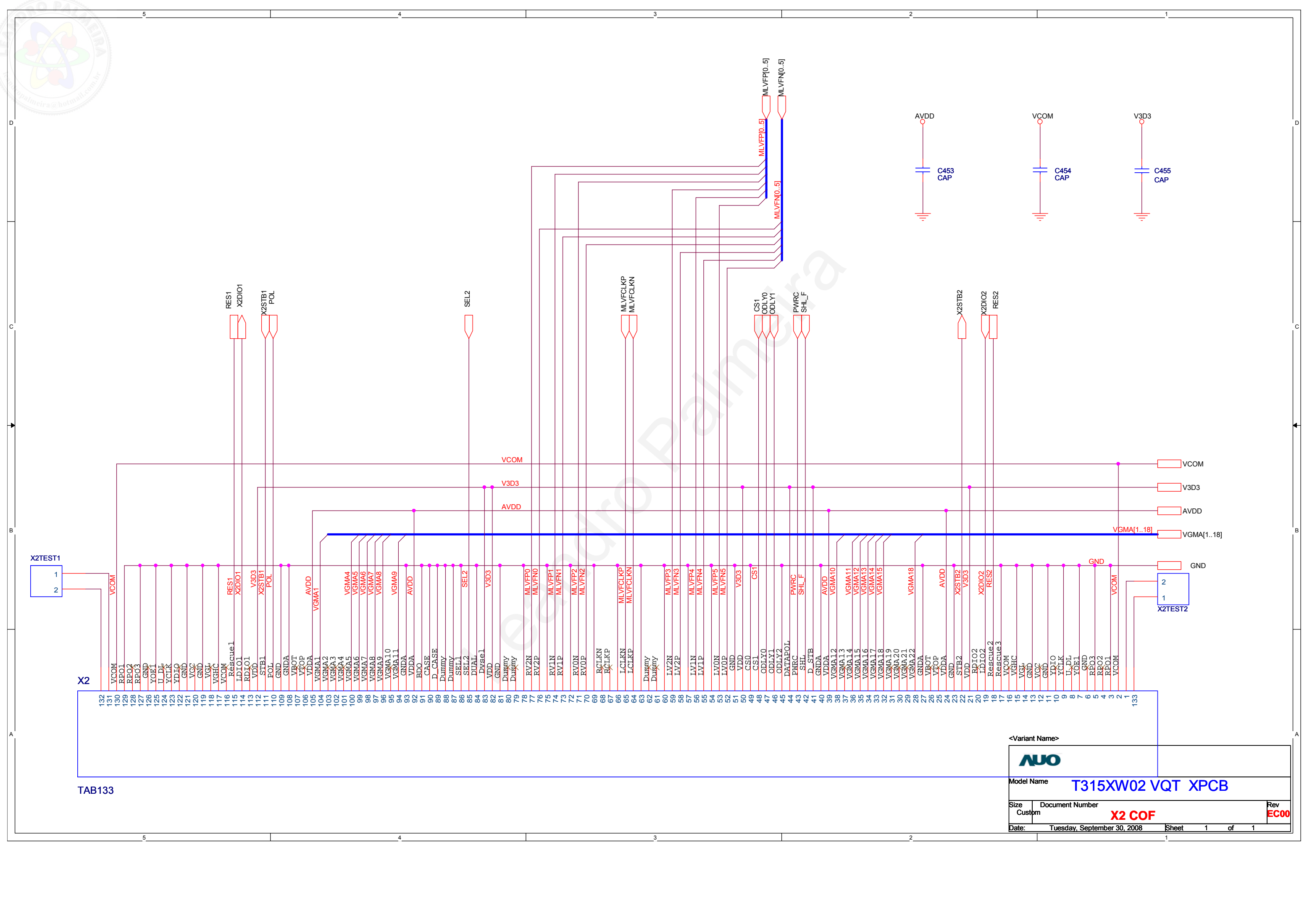
<Variant Name>

Model Name T315XW02 VQT XPCB		
Size Custom	Document Number X5 COF	Rev EC00
Date: Tuesday, September 30, 2008	Sheet 1	of 1



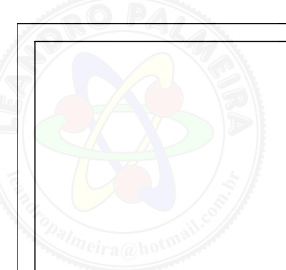
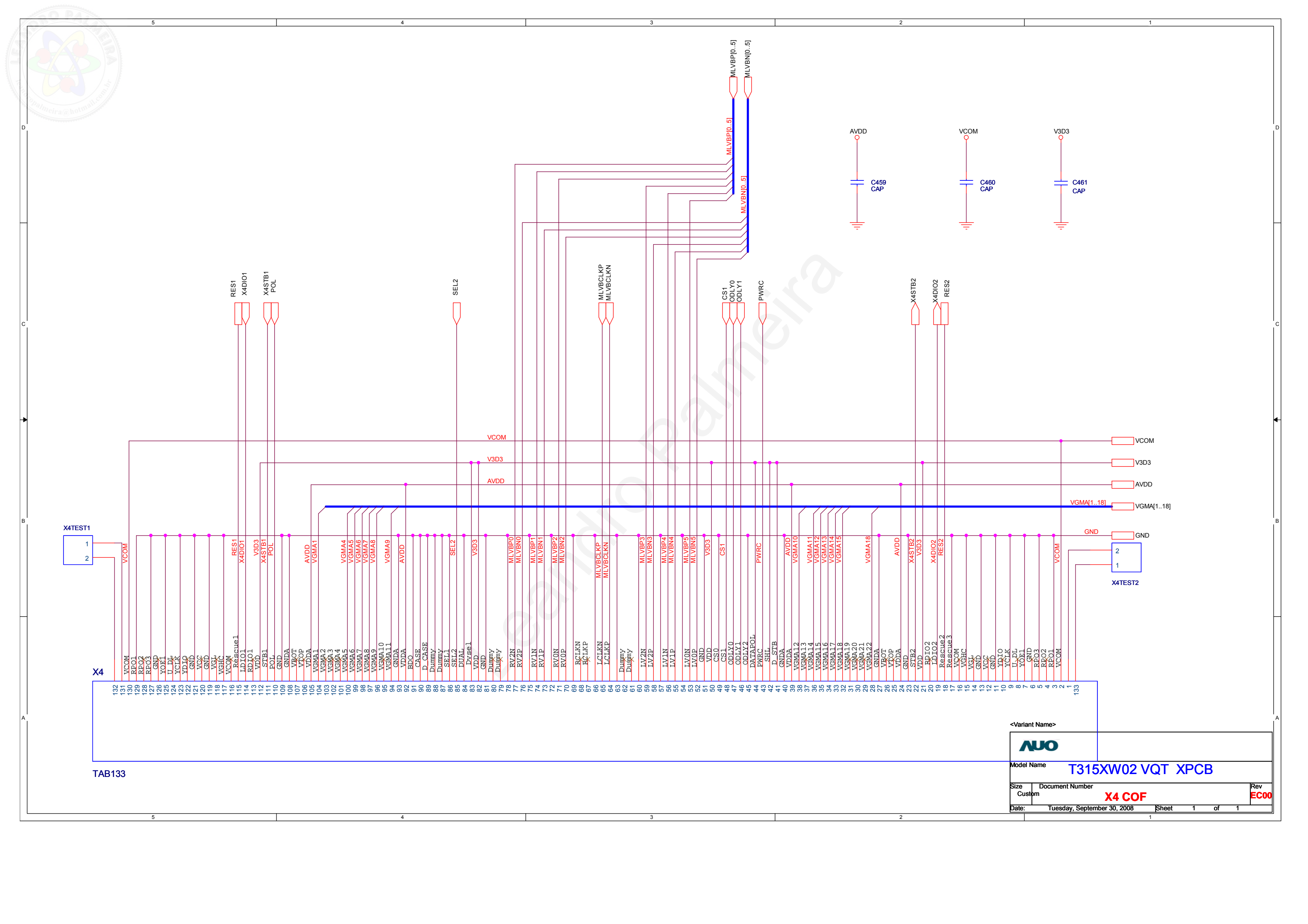
TAB133

<Variant Name>		
AUO		
Model Name T315XW02 VQT XPCB		
Size Custom	Document Number X3 COF	Rev EC00
Date: Tuesday, September 30, 2008	Sheet 1	of 1



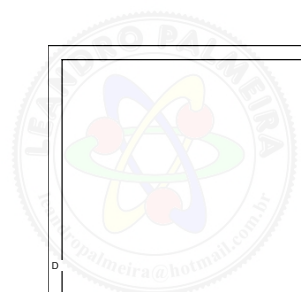
TAB133

<Variant Name>		
AUO		
Model Name T315XW02 VQT XPCB		
Size Custom	Document Number X2 COF	Rev EC00
Date: Tuesday, September 30, 2008	Sheet 1	of 1

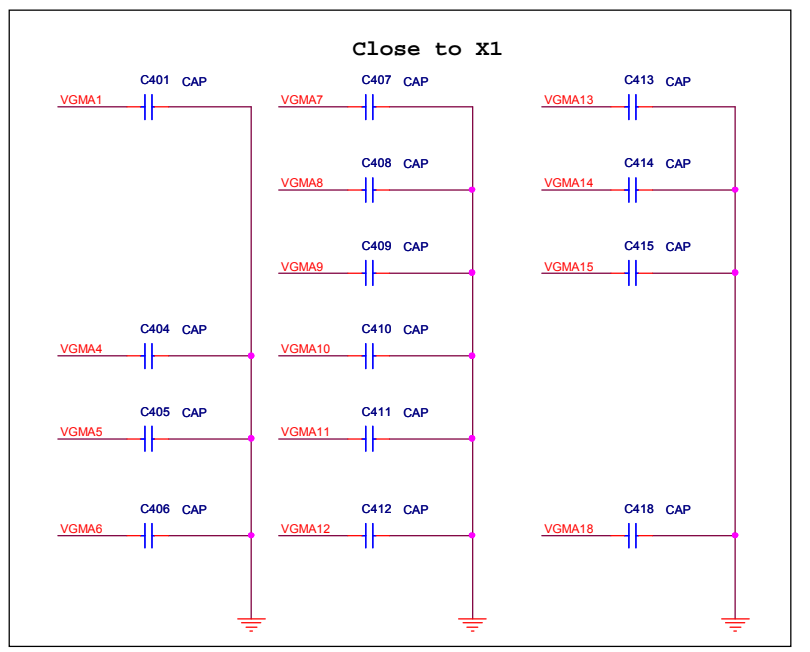


TAB133

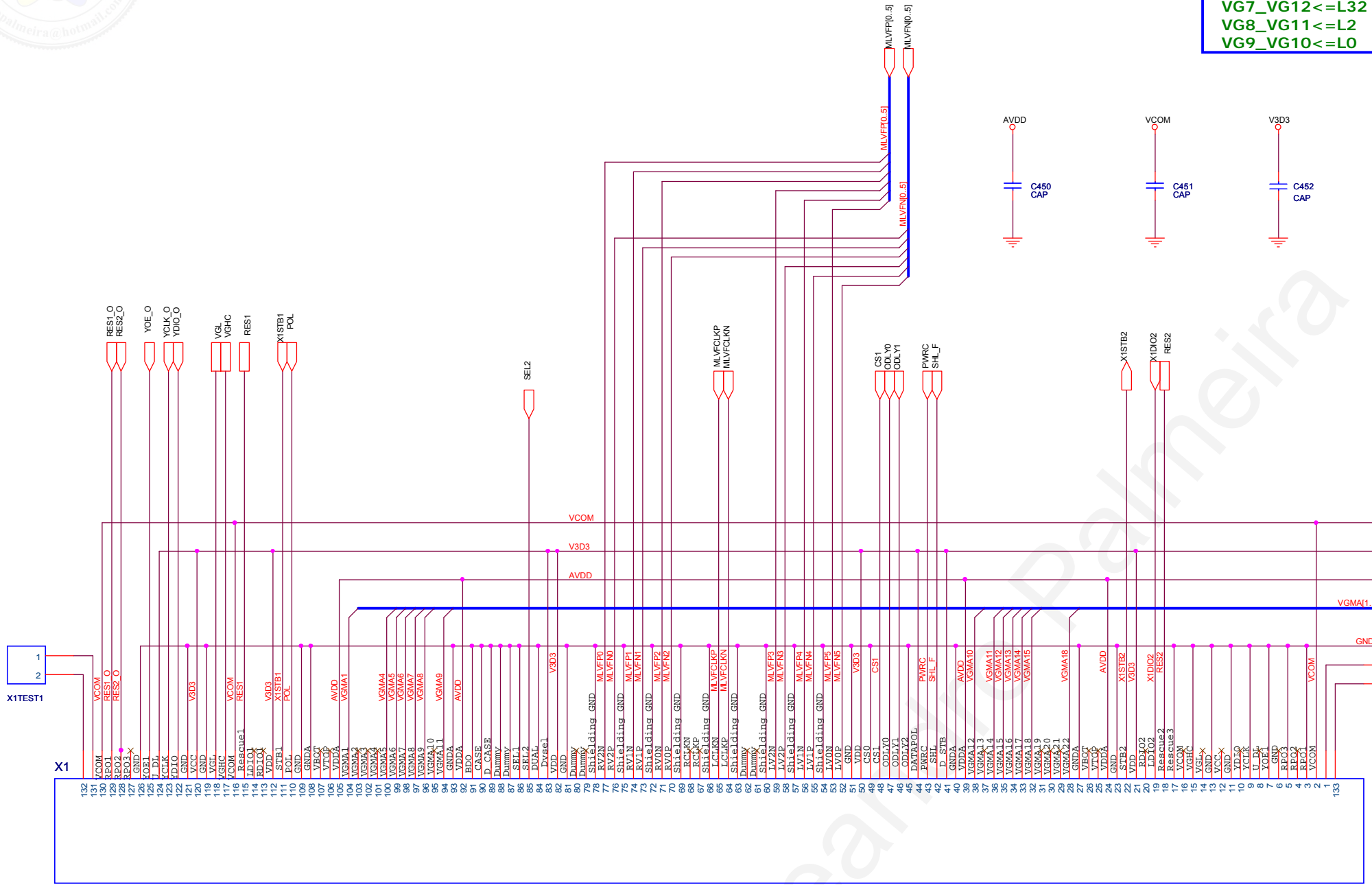
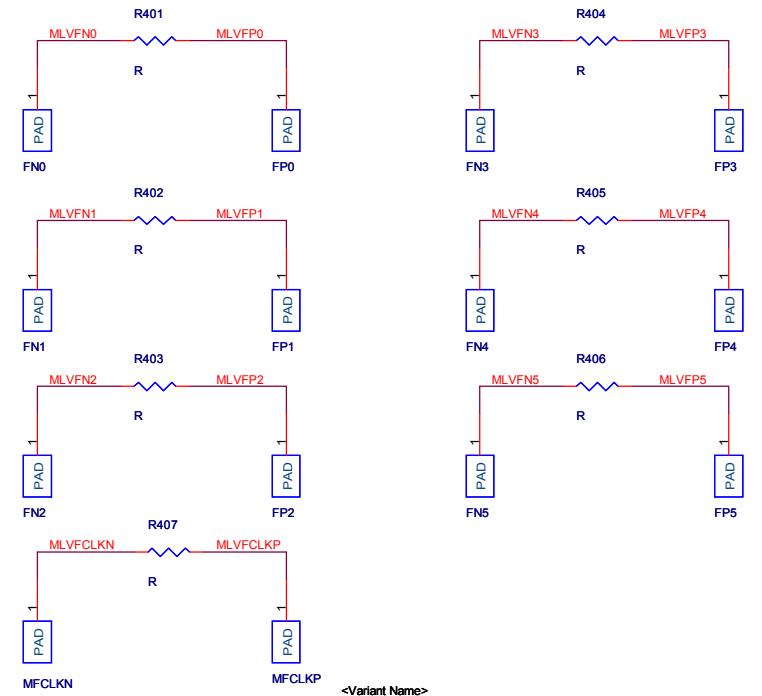
<Variant Name>	
AUO	
Model Name T315XW02 VQT XPCB	
Size Custom	Document Number X4 COF
Date: Tuesday, September 30, 2008	Rev EC00
Sheet 1 of 1	



VG1_VG18<=L255
 VG4_VG15<=L192
 VG5_VG14<=L128
 VG6_VG13<=L64
 VG7_VG12<=L32
 VG8_VG11<=L2
 VG9_VG10<=L0

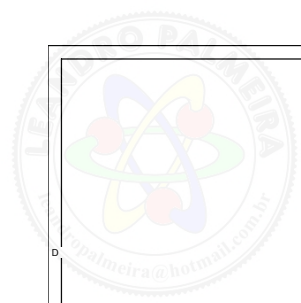


End Termination For X1

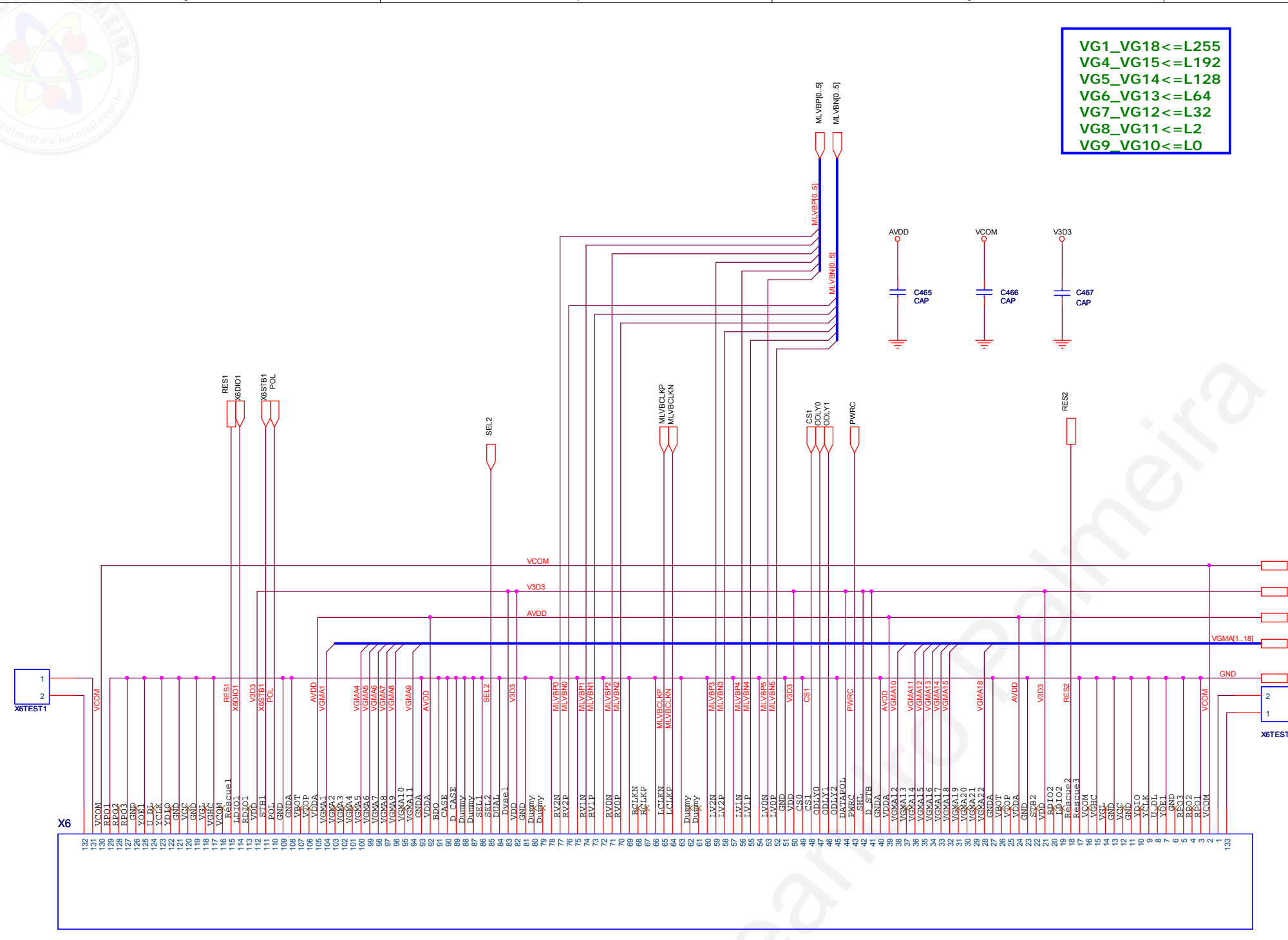
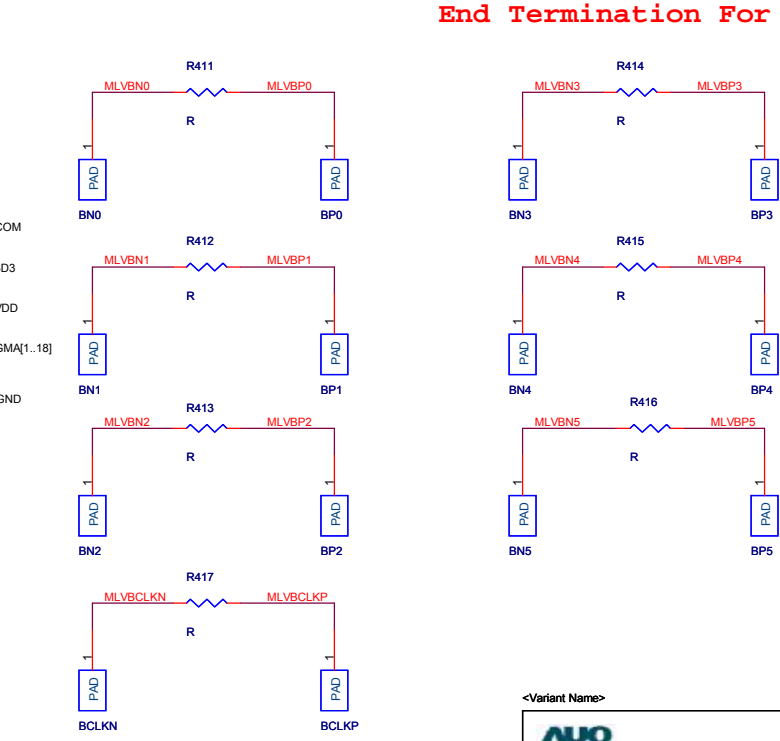
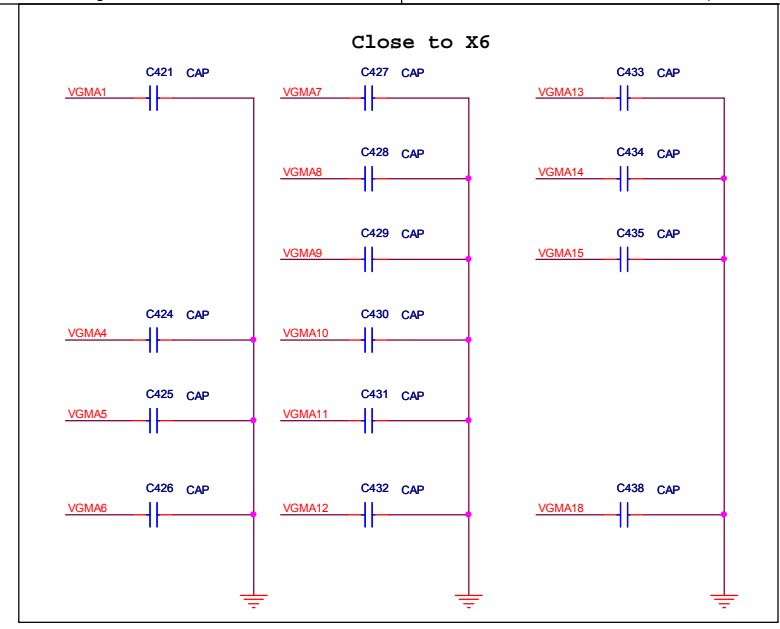


TAB133

AUO		
Model Name T315XW02 VQT XPCB		
Size Custom	Document Number X1 COF	Rev EC00
Date: Tuesday, September 30, 2008 Sheet 1 of 1		

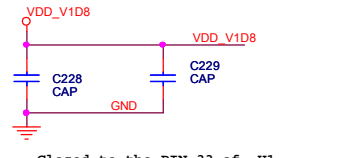
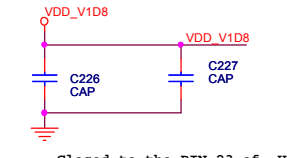
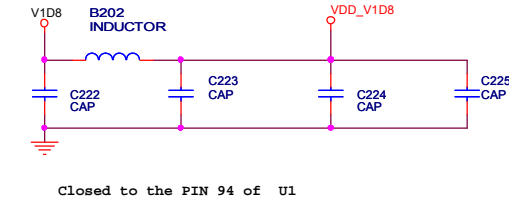
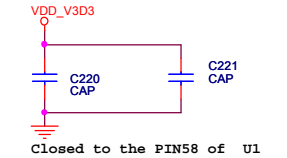
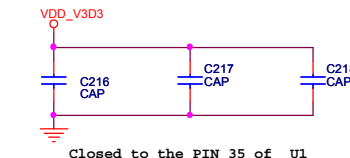
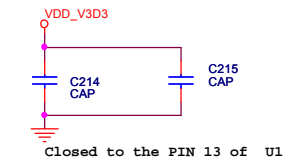
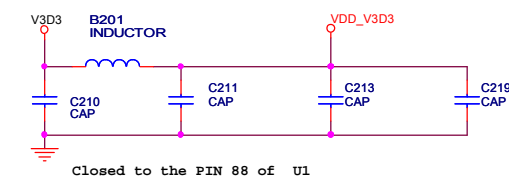
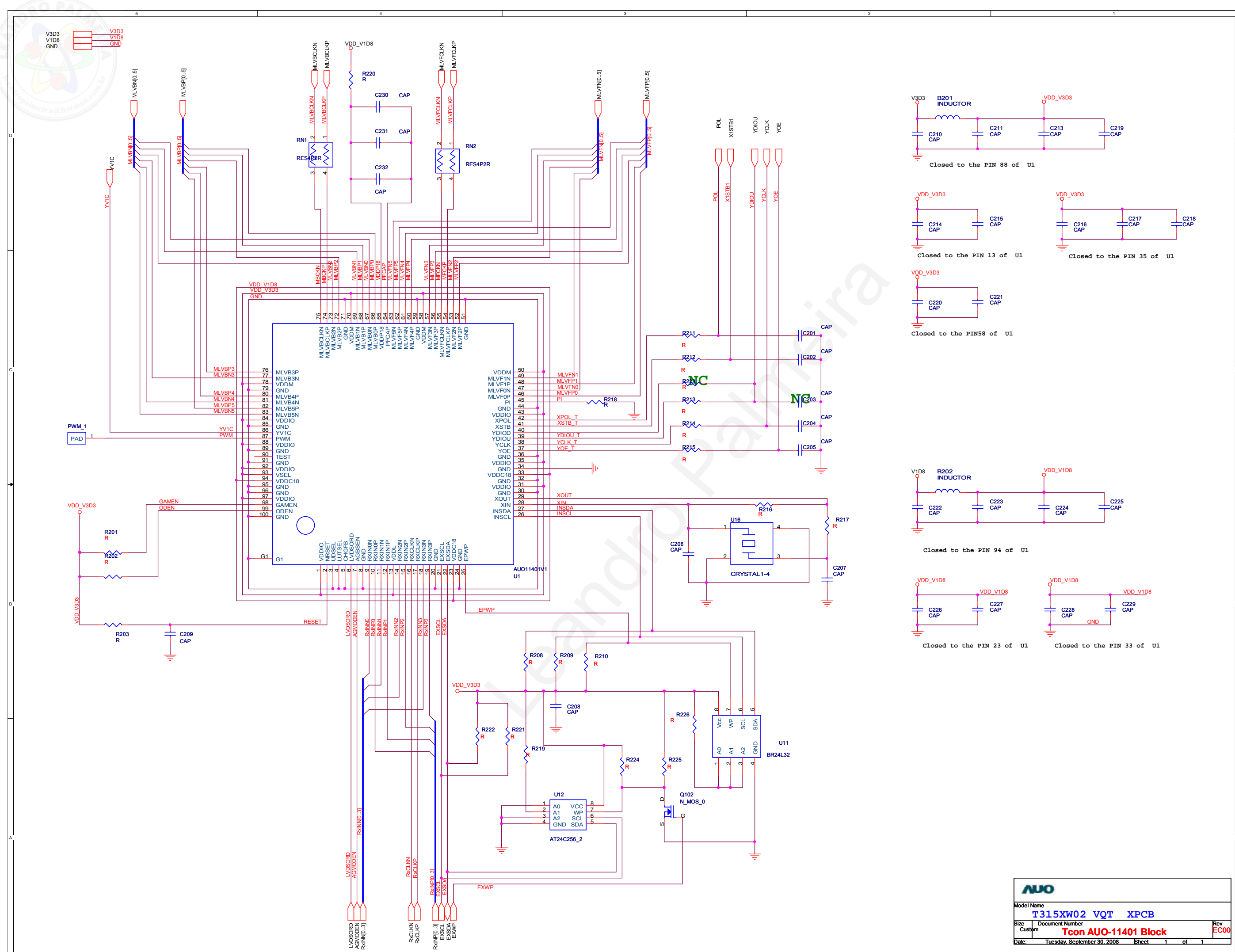


VG1_VG18<=L255
 VG4_VG15<=L192
 VG5_VG14<=L128
 VG6_VG13<=L64
 VG7_VG12<=L32
 VG8_VG11<=L2
 VG9_VG10<=L0

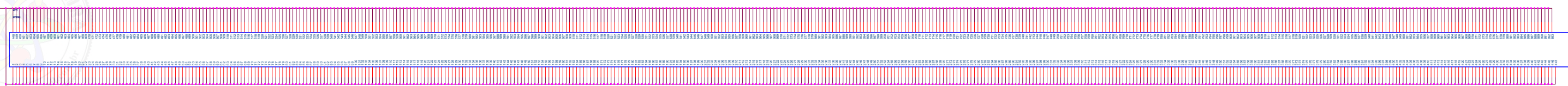
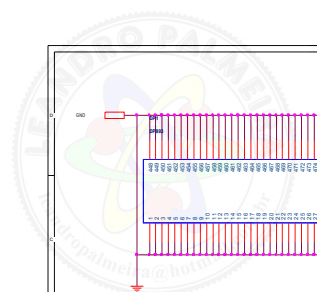


TAB133

Model Name			T315XW02 VQT XPCB
Size	Document Number	Rev	
Custom	X6 COF	EC00	
Date:	Tuesday, September 30, 2008	Sheet	1 of 1



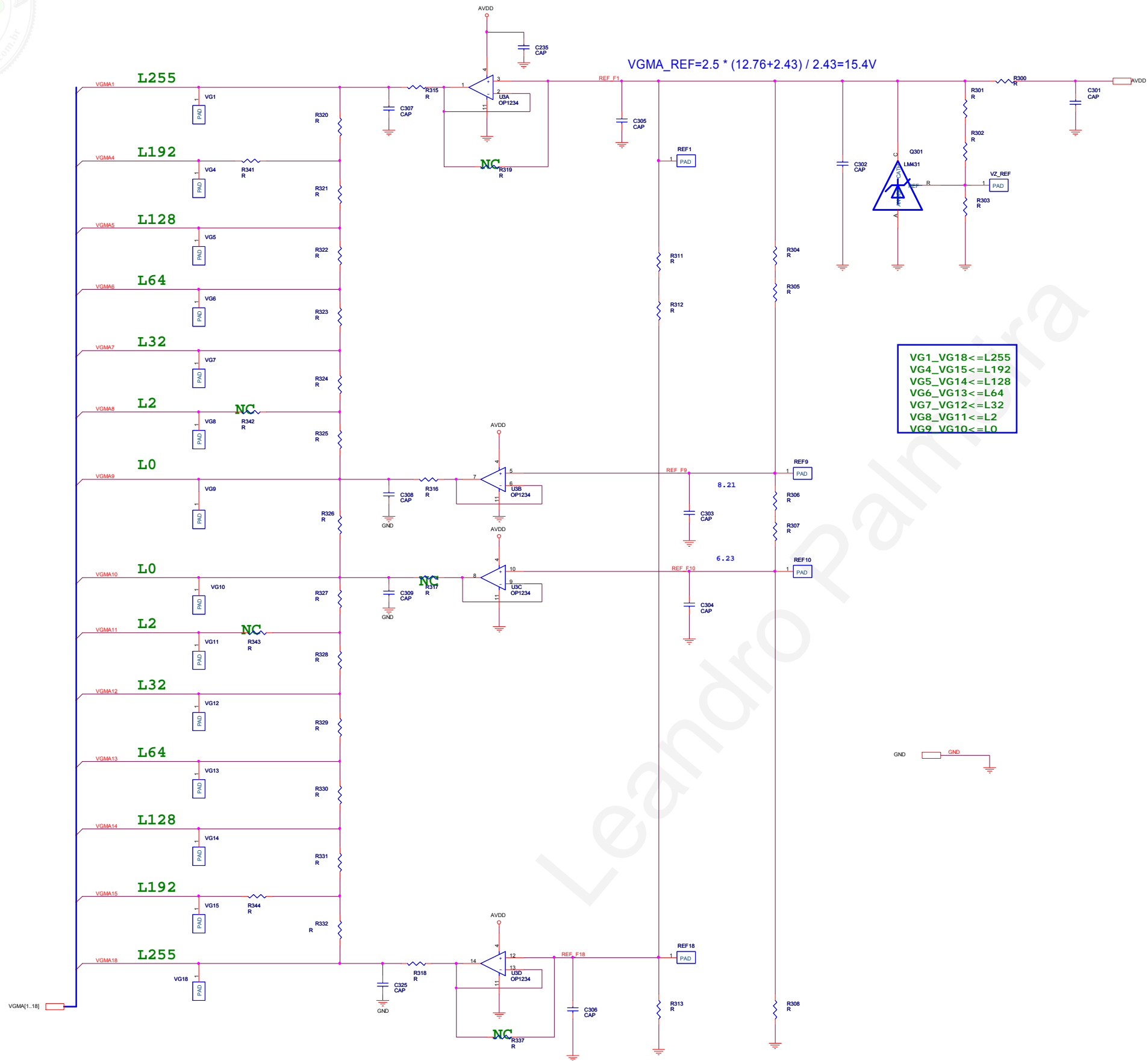
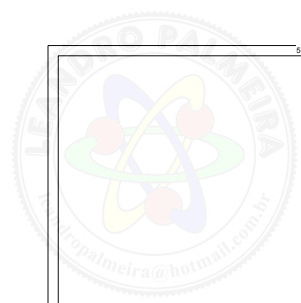
AUO	
Model Name	T315XW02 VQT XPCB
Size	Custom
Document Number	Tcon AUO-11401 Block
Date:	Tuesday, September 30, 2008
Sheet	1 of 1
Rev	EC00



Double GND

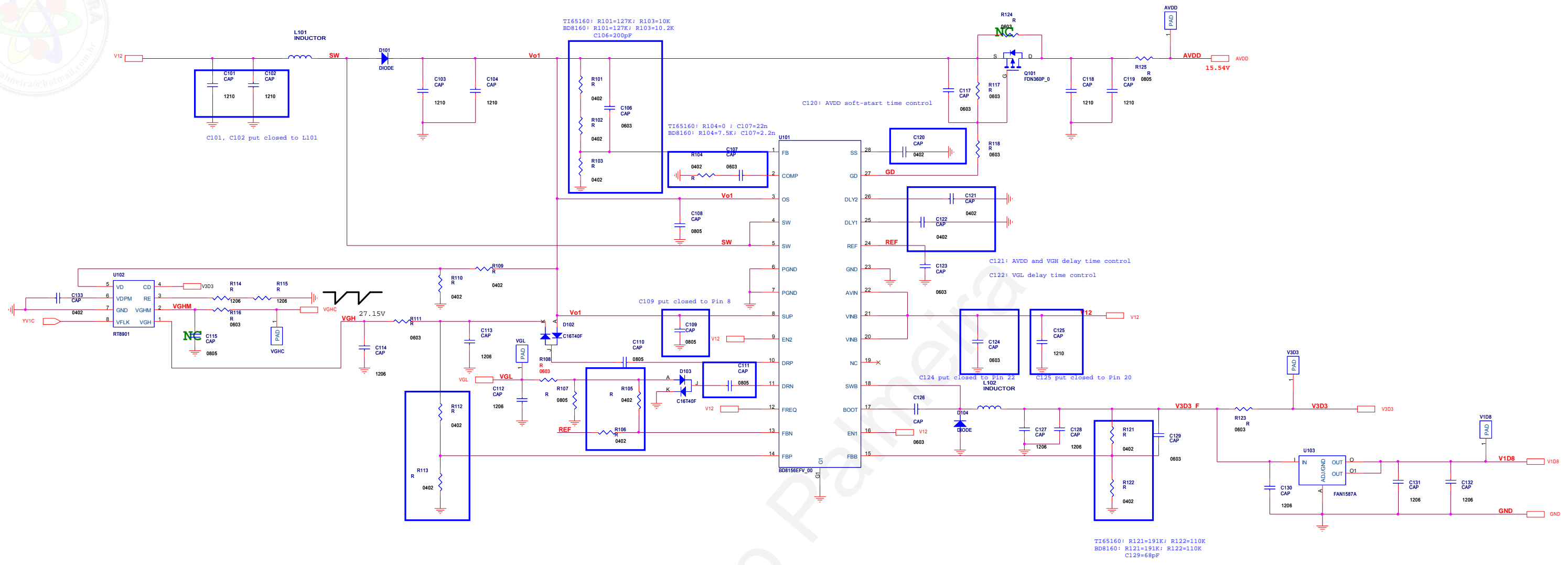
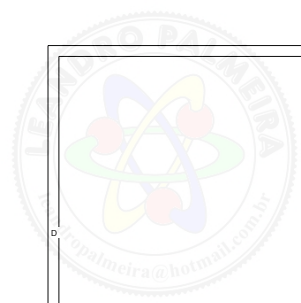
ALMO
T315XW02 VQT XPCB
Dutny Pad

Leandro Palmeira



VG1_VG18<=L255
VG4_VG15<=L192
VG5_VG14<=L128
VG6_VG13<=L64
VG7_VG12<=L32
VG8_VG11<=L2
VG9_VG10<=L0

AJO			
Model Name T315XW02 VQT XPCB			
Size	Document Number	Rev	
Custom	Gamma_Block	E000	
Date:	Tuesday, September 30, 2008	Sheet	1 of 1



Leandro P...

AUO			
Model Name			
T315XW02 VQT XPCB			
Size	Document Number	Rev	
Custom	DC-DC Block(BD8160EFV)	EC00	
Date:	Tuesday, September 30, 2008	Sheet	1 of 1