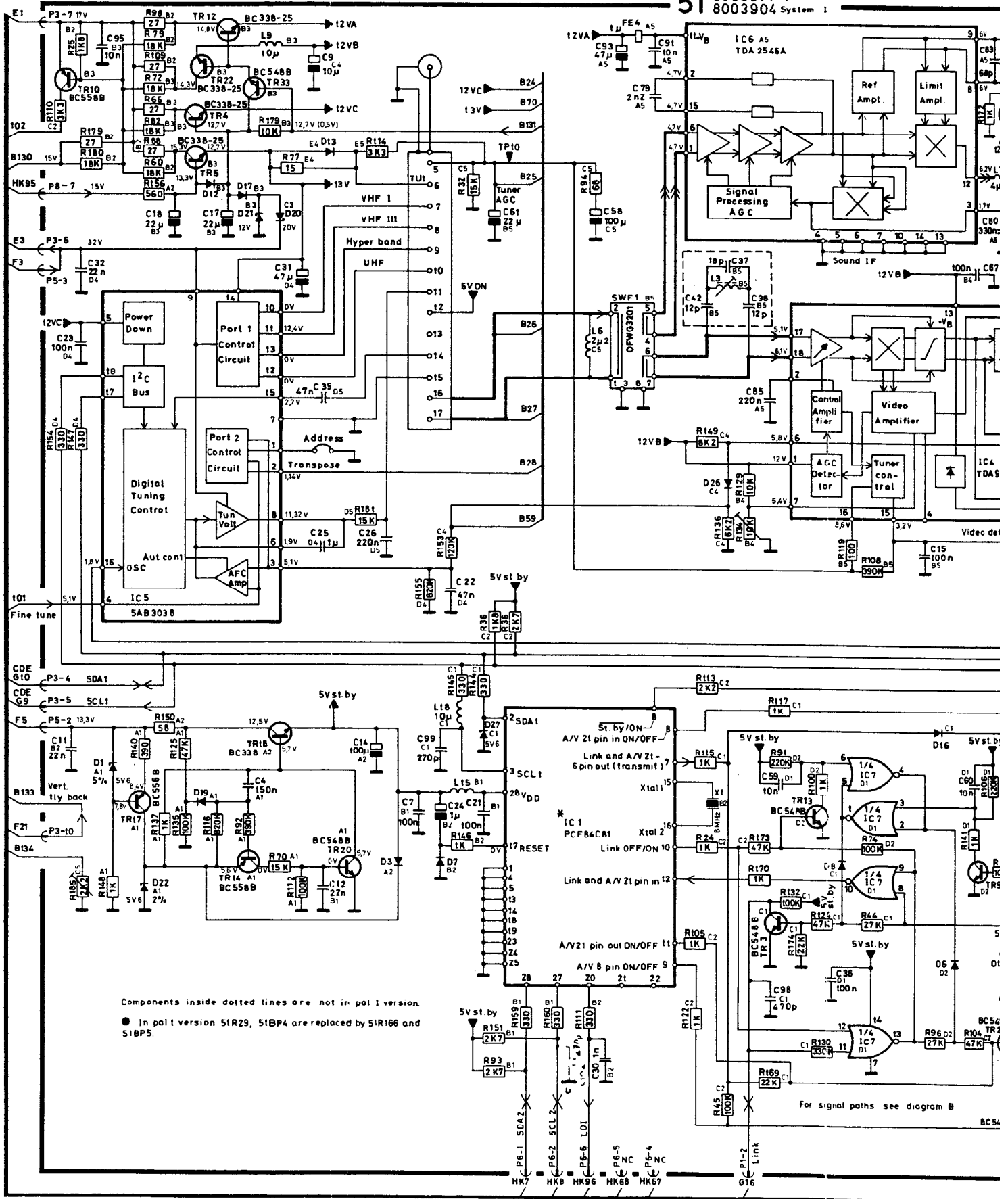
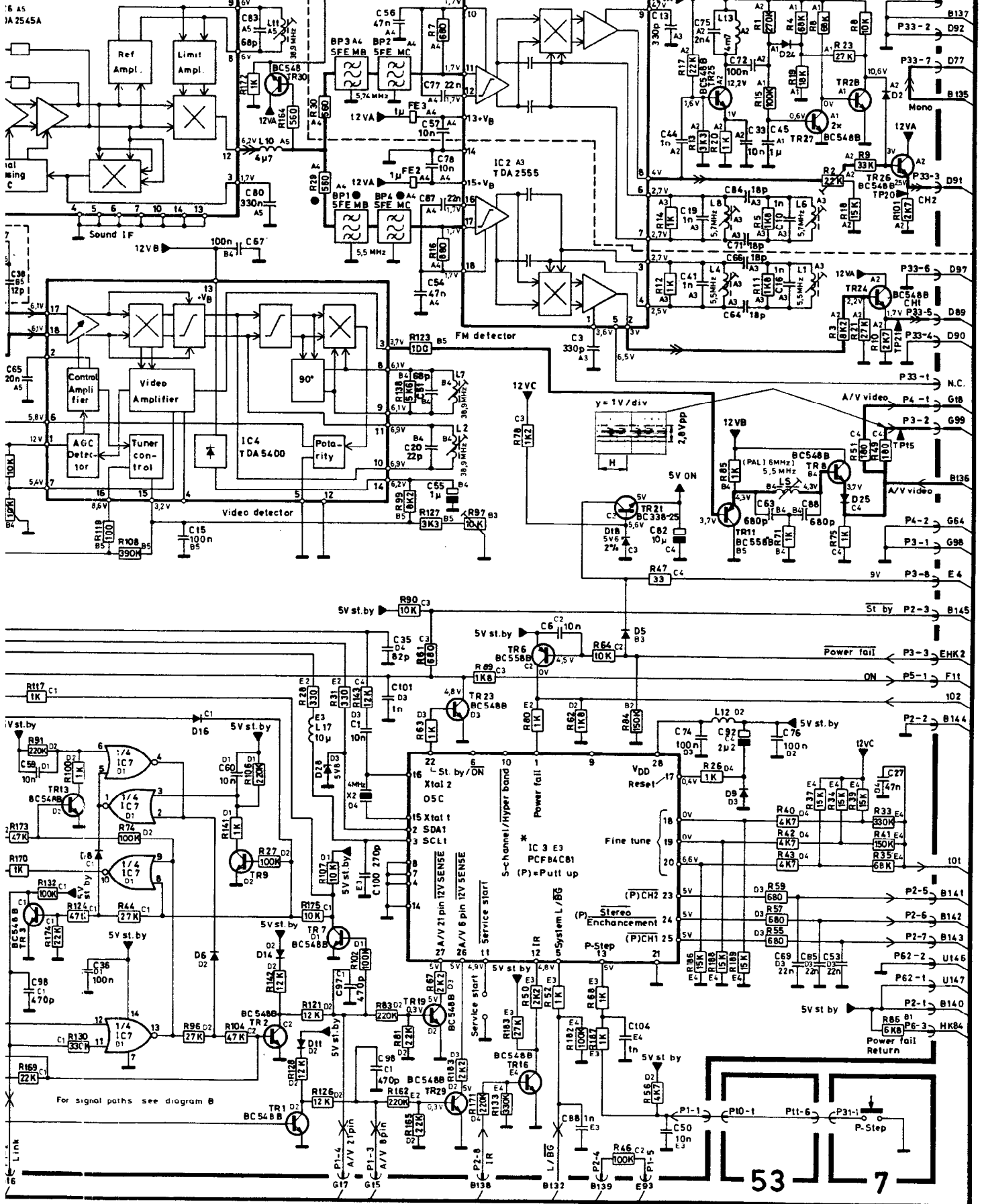


# DIAGRAM A CONTROL, TUNER AND IF SYSTEM

51 8003871 System BG  
8003904 System I

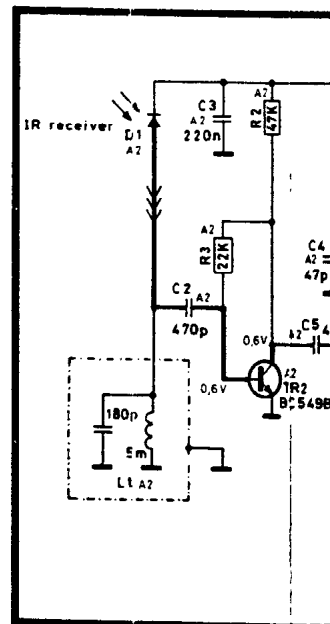
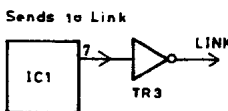
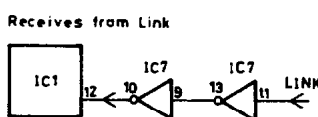
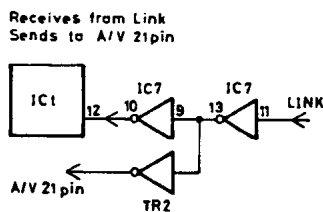
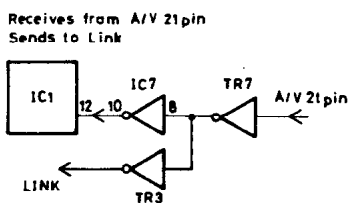
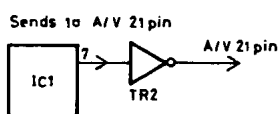
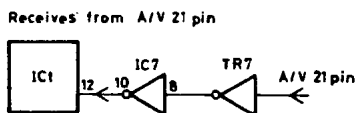
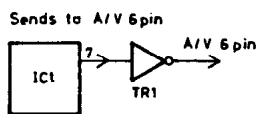


1871 System BG  
1904 System I

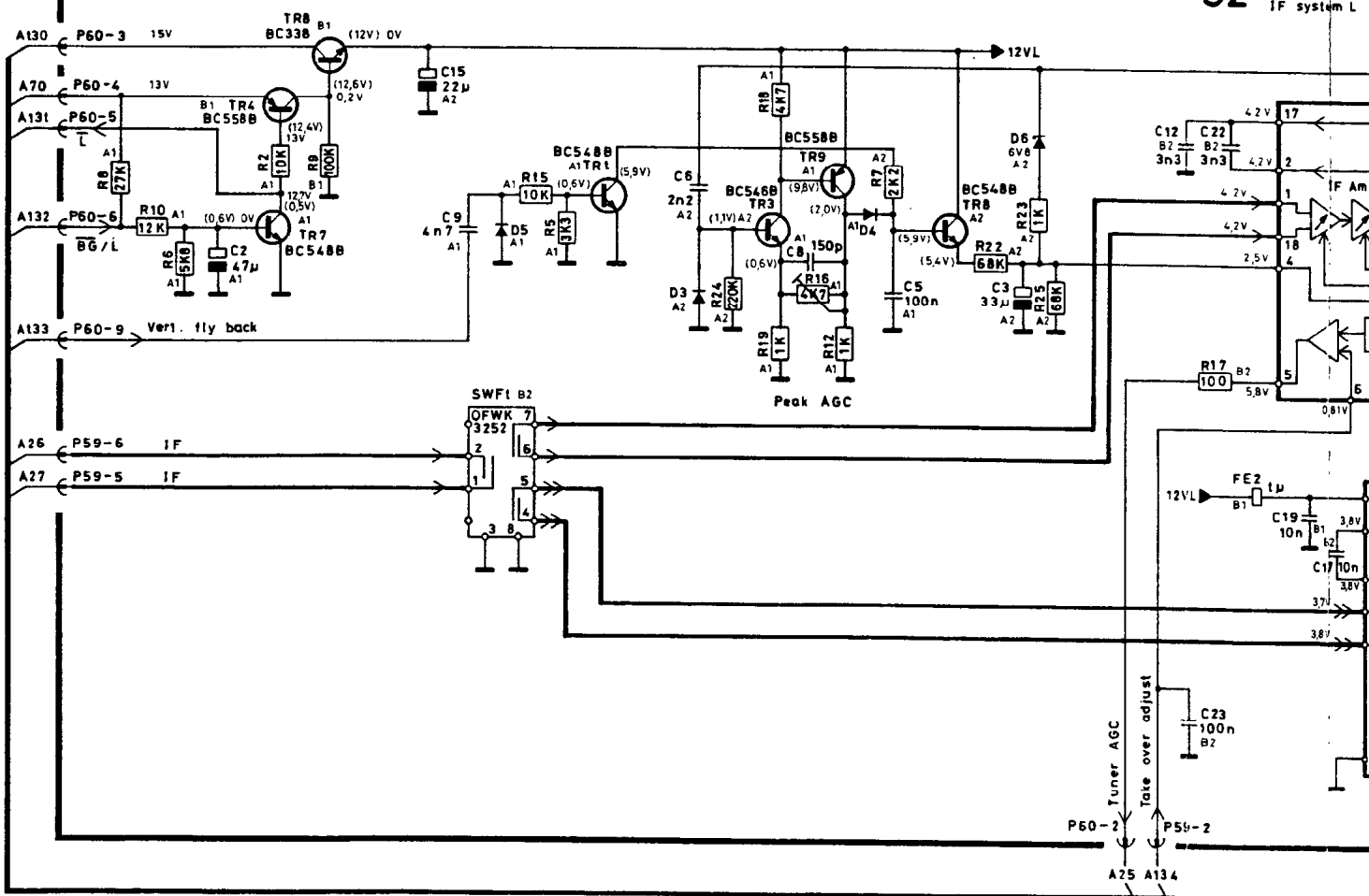


# DIAGRAM B IF SYSTEM L AND IR-RECEIVER

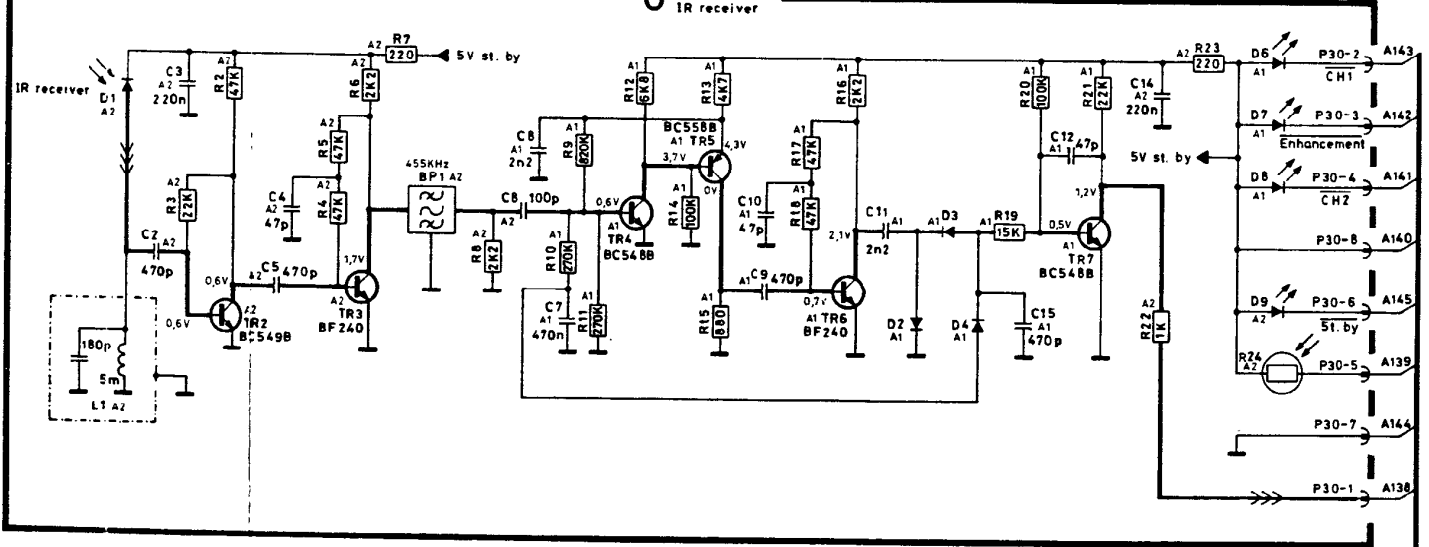
Signal paths for data transmissions between  
TV-LINK (AUX1)- A/V 21 pin (AUX 2) - A/V 6 pin (AUX3)  
PCB 51, diagram A



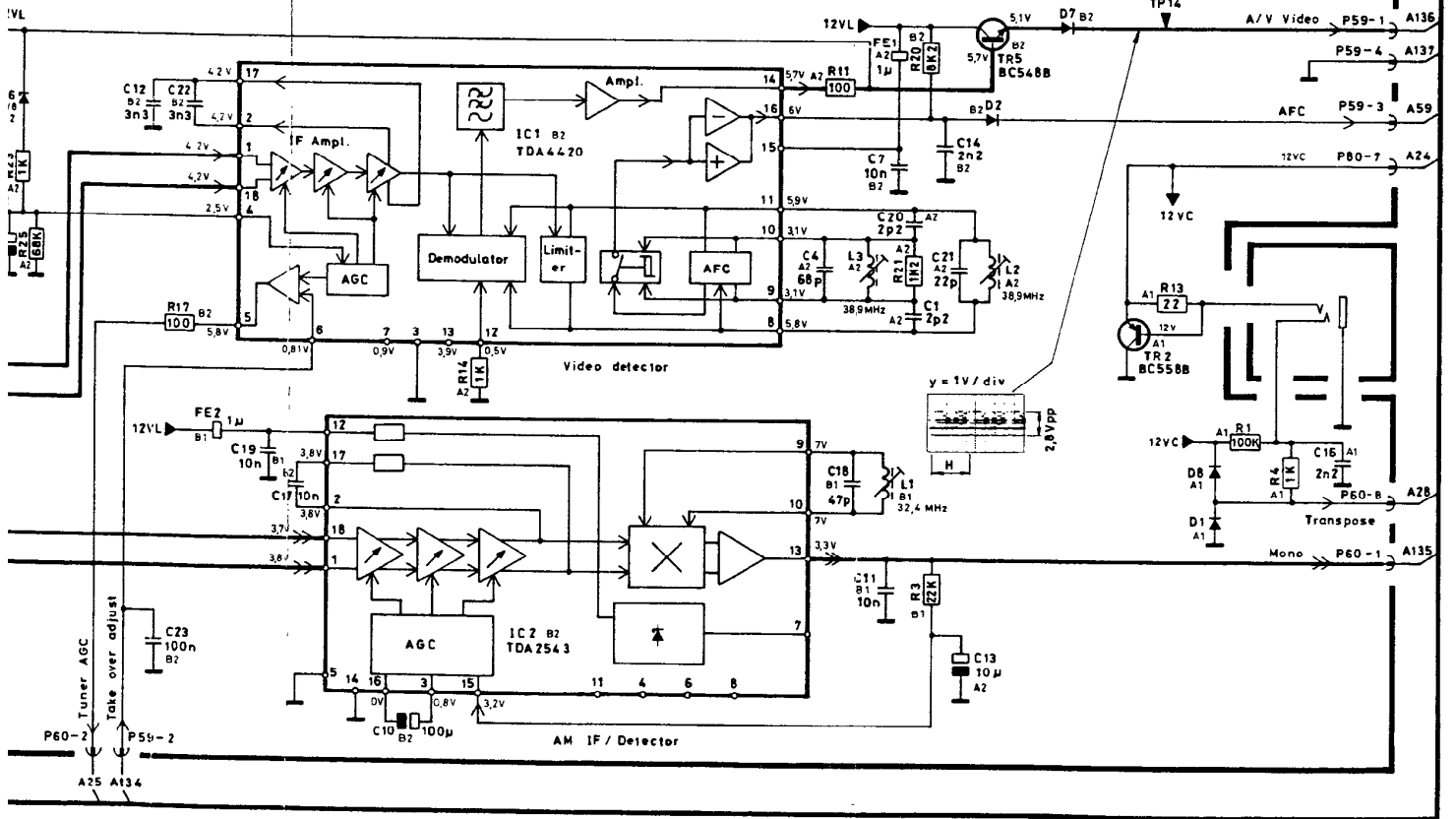
52 8003910  
IF system L



6 8003604  
IR receiver

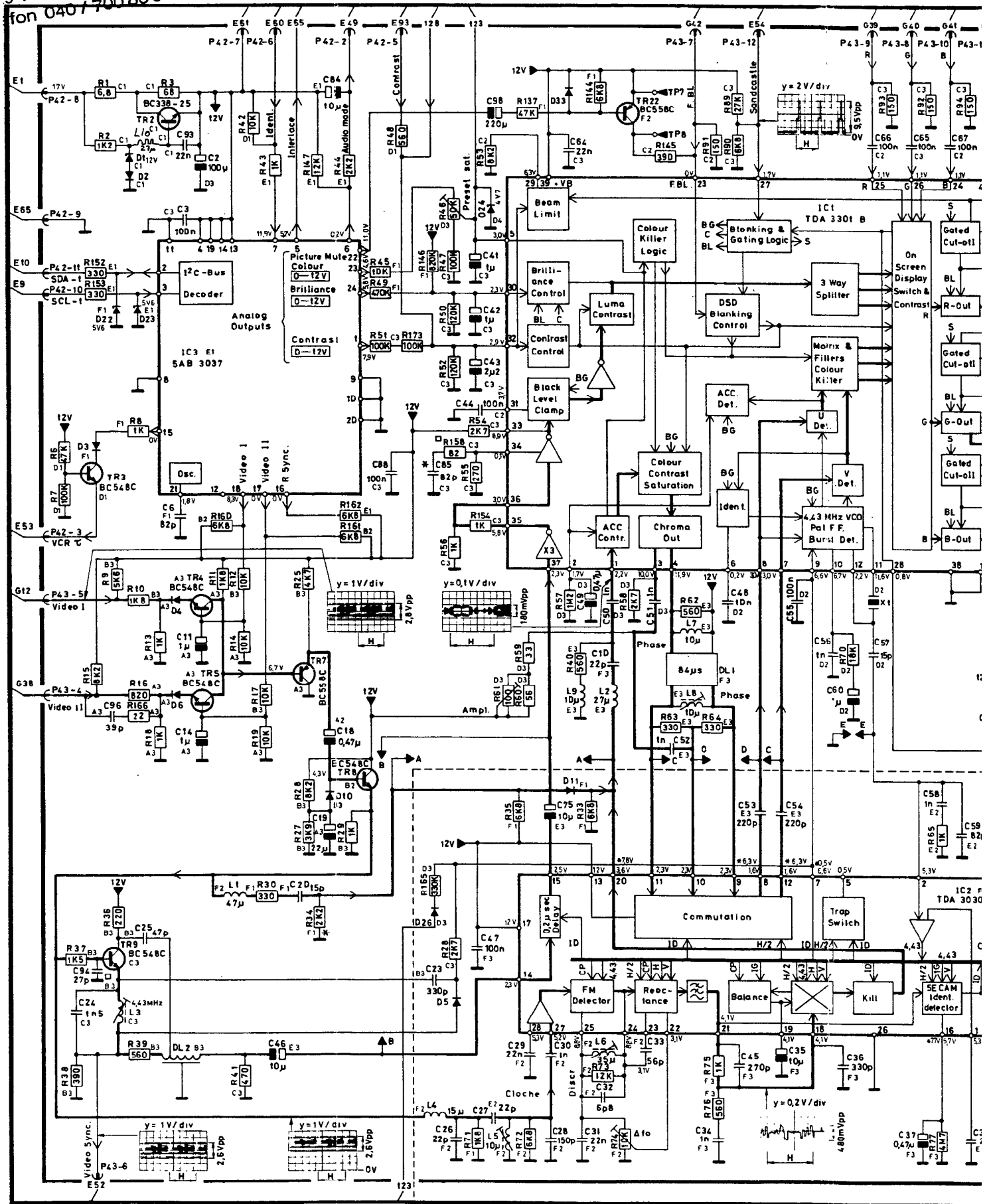


52 8003910  
IF system L

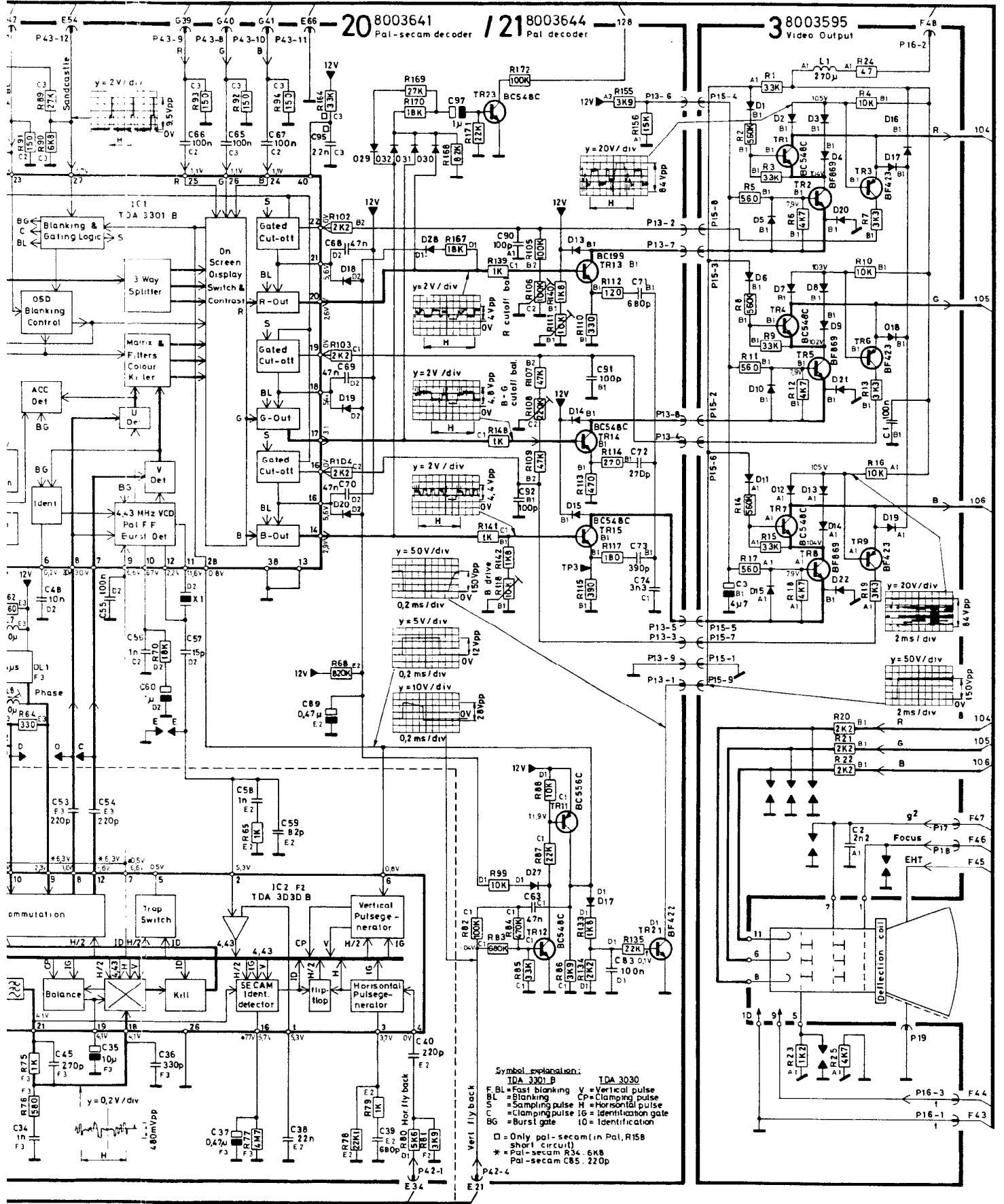


**DIAGRAM PAL PAL/SECAM DECODER, VIDEO OUTPUT**

Components in  
The arrows m

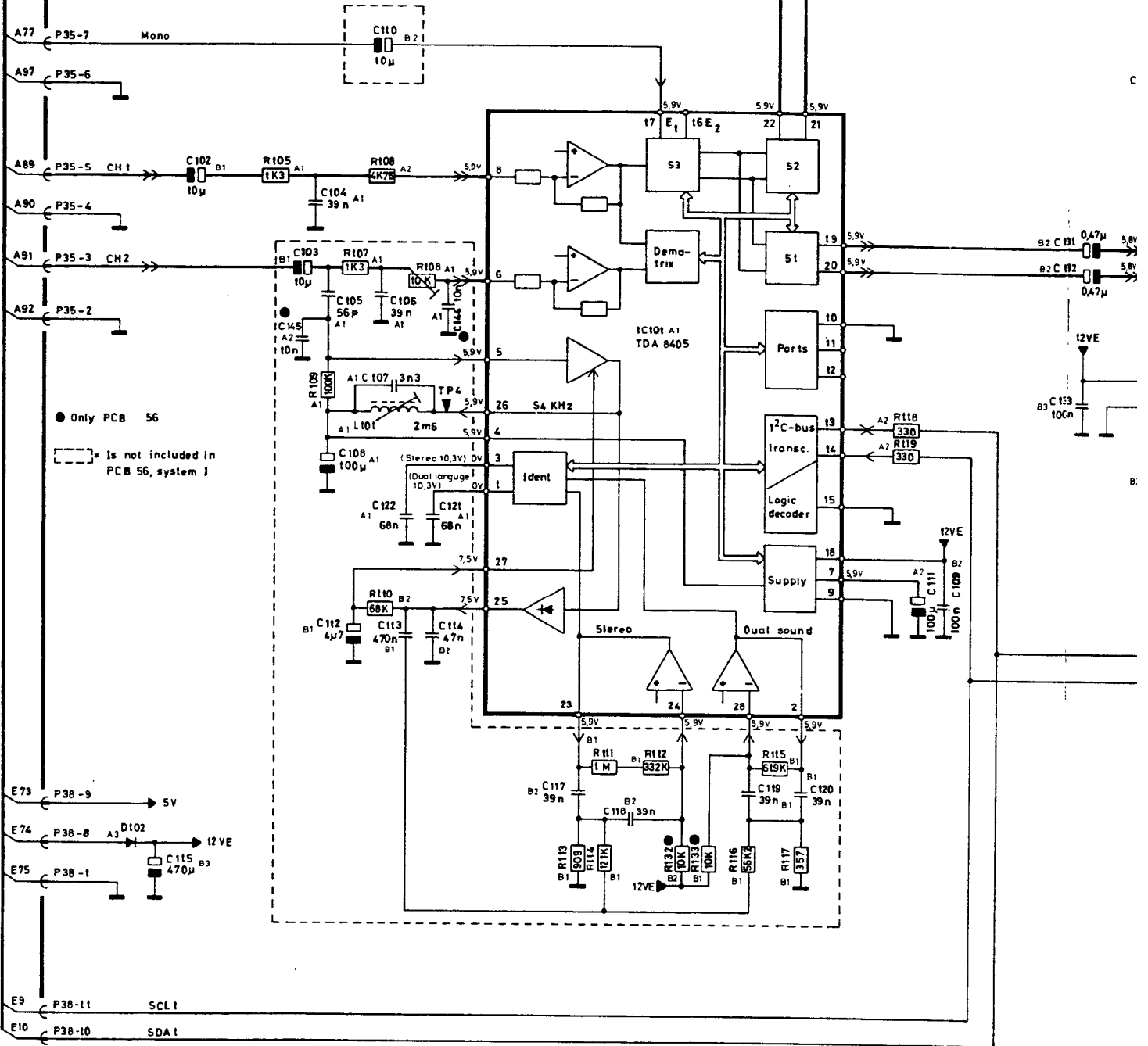


Components inside the dotted line are only in Pal/Secam decoder PCB20.  
 The arrows marked with letters shows points which are short circuit in Pal decoder PCB21.

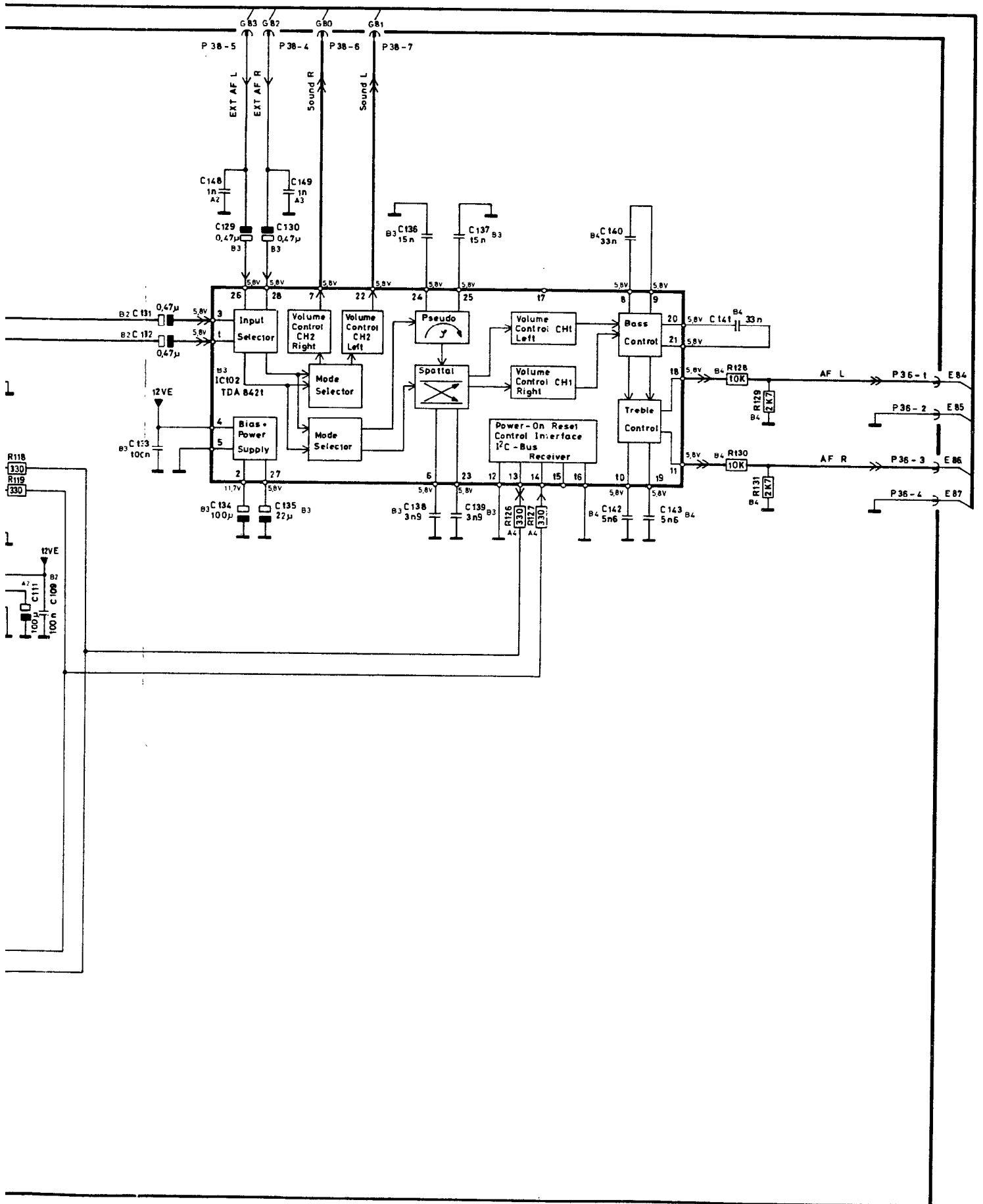


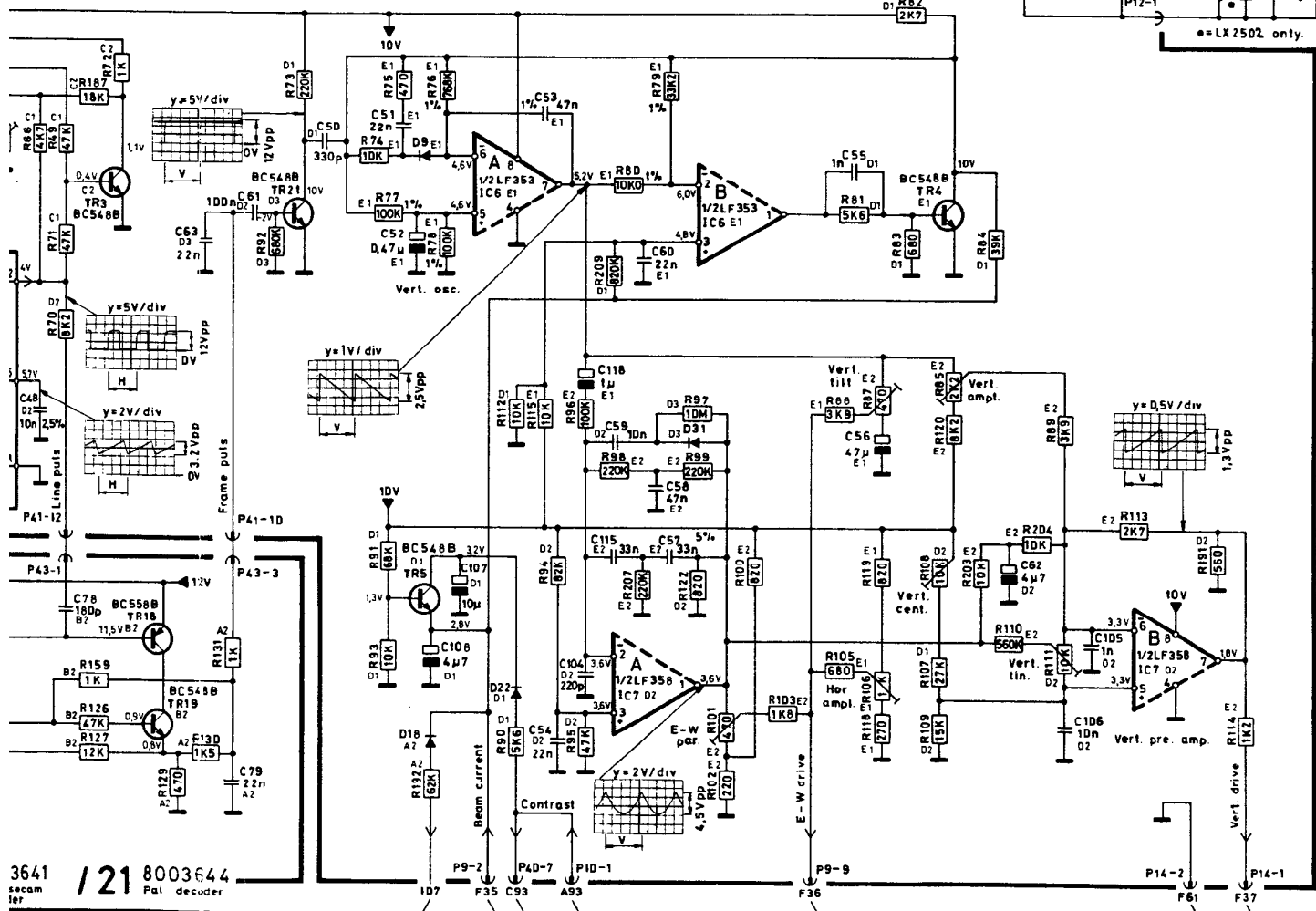
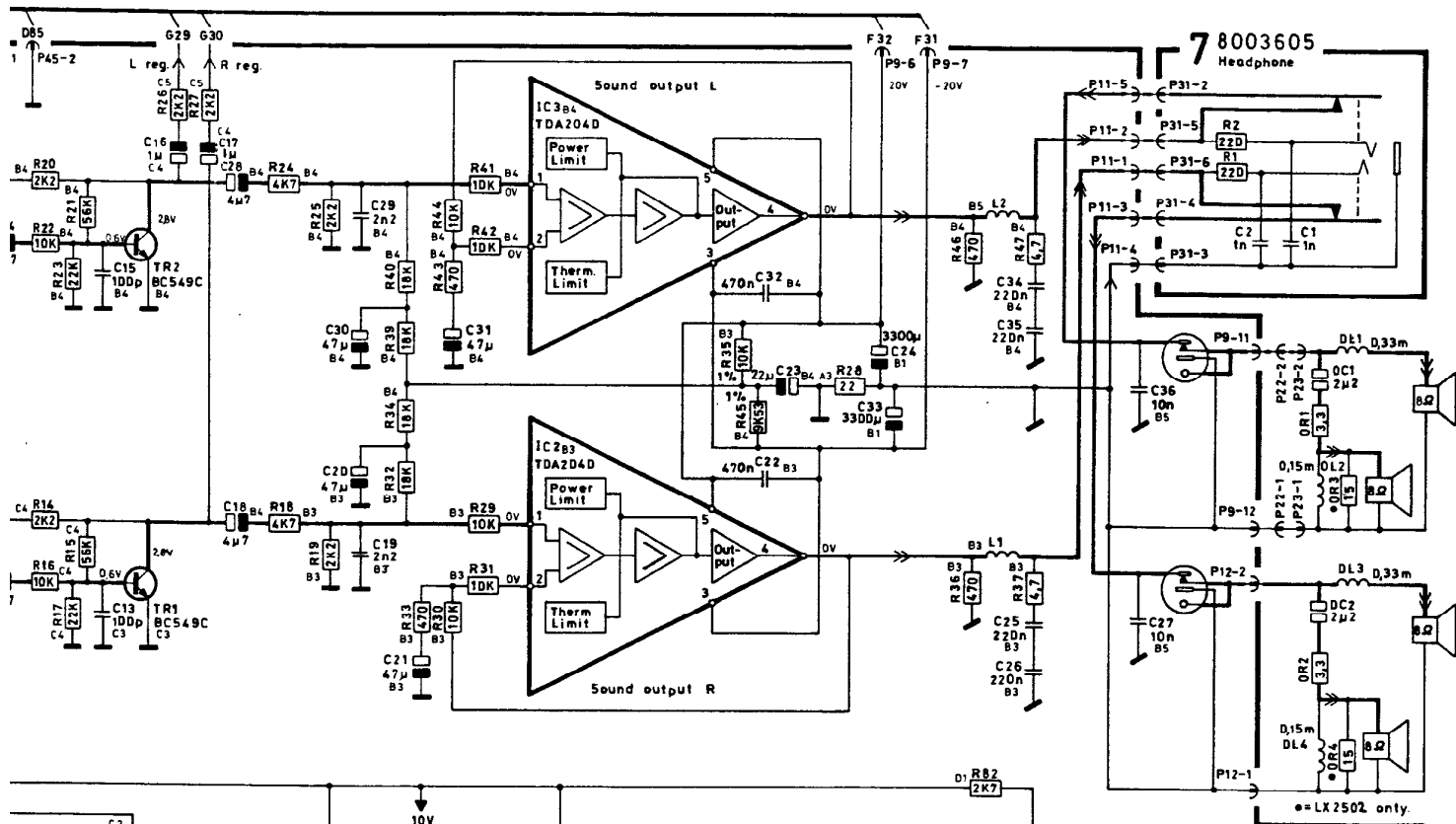
55 8003885 / 56 8003889  
 Sound processing / Sound processing mono

Sound signal path  
 Function: TV stereo sound

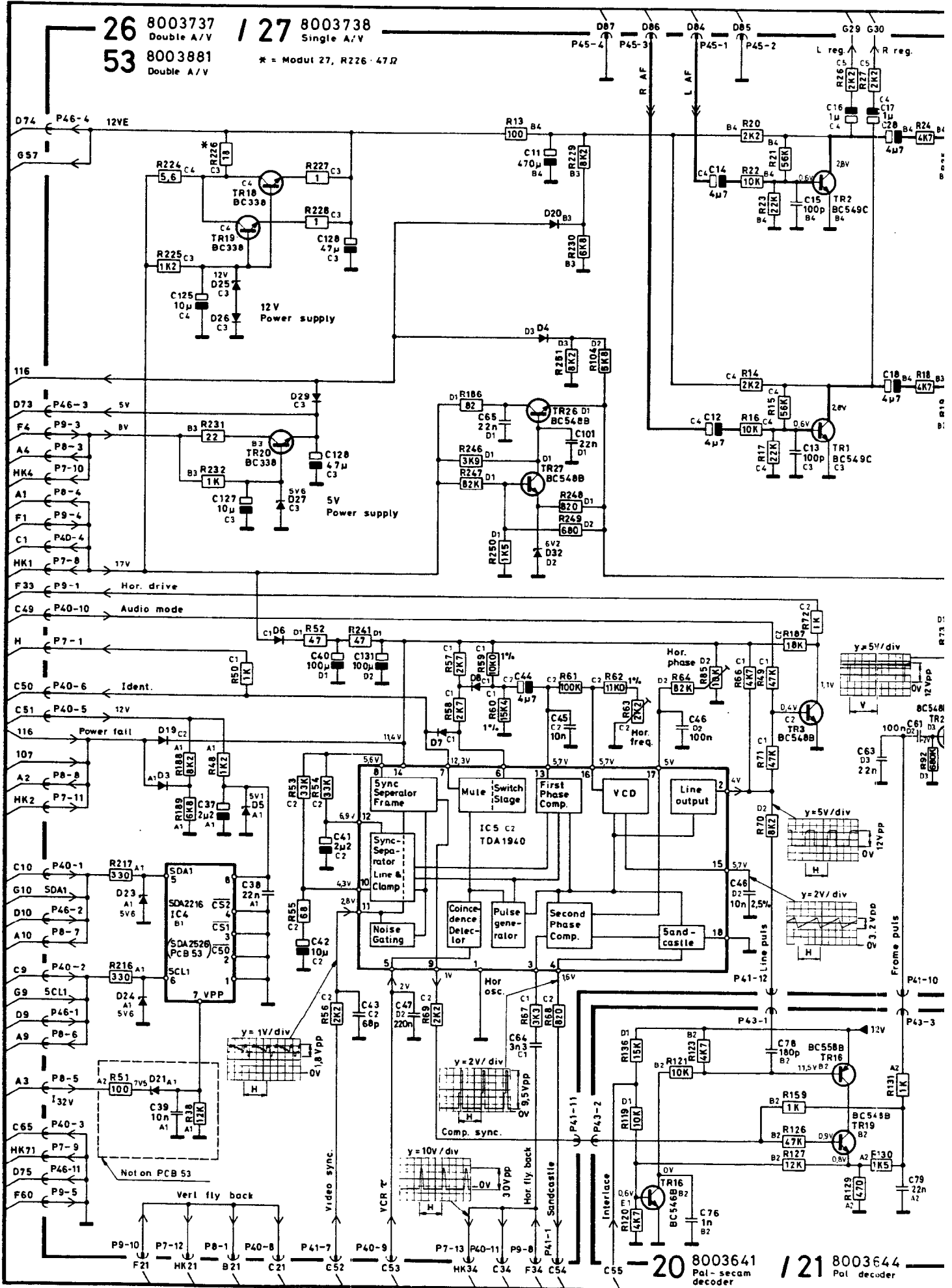




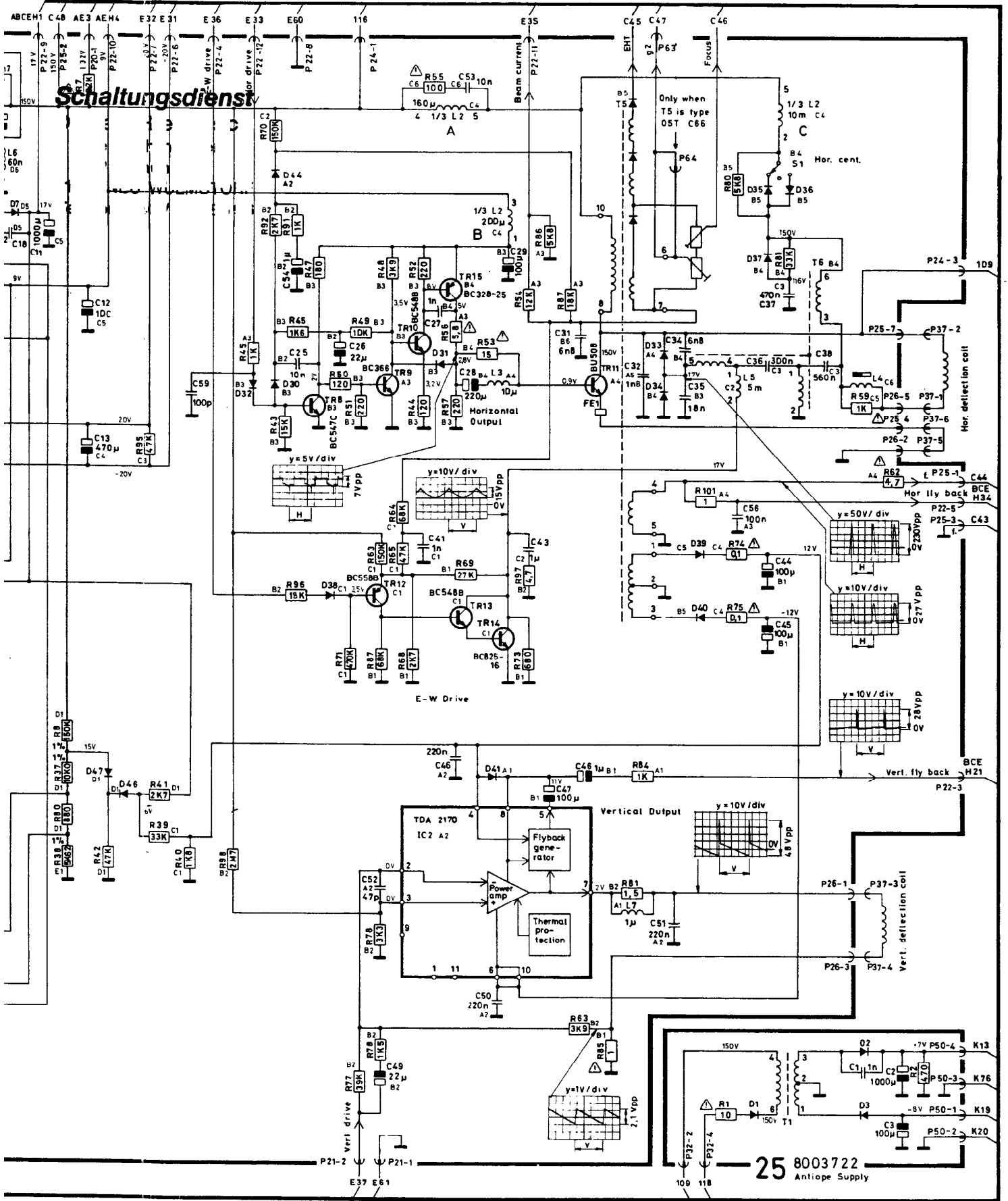




# DIAGRAM E AF AMPLIFIER, HOR. OSC., VERT. OSC.

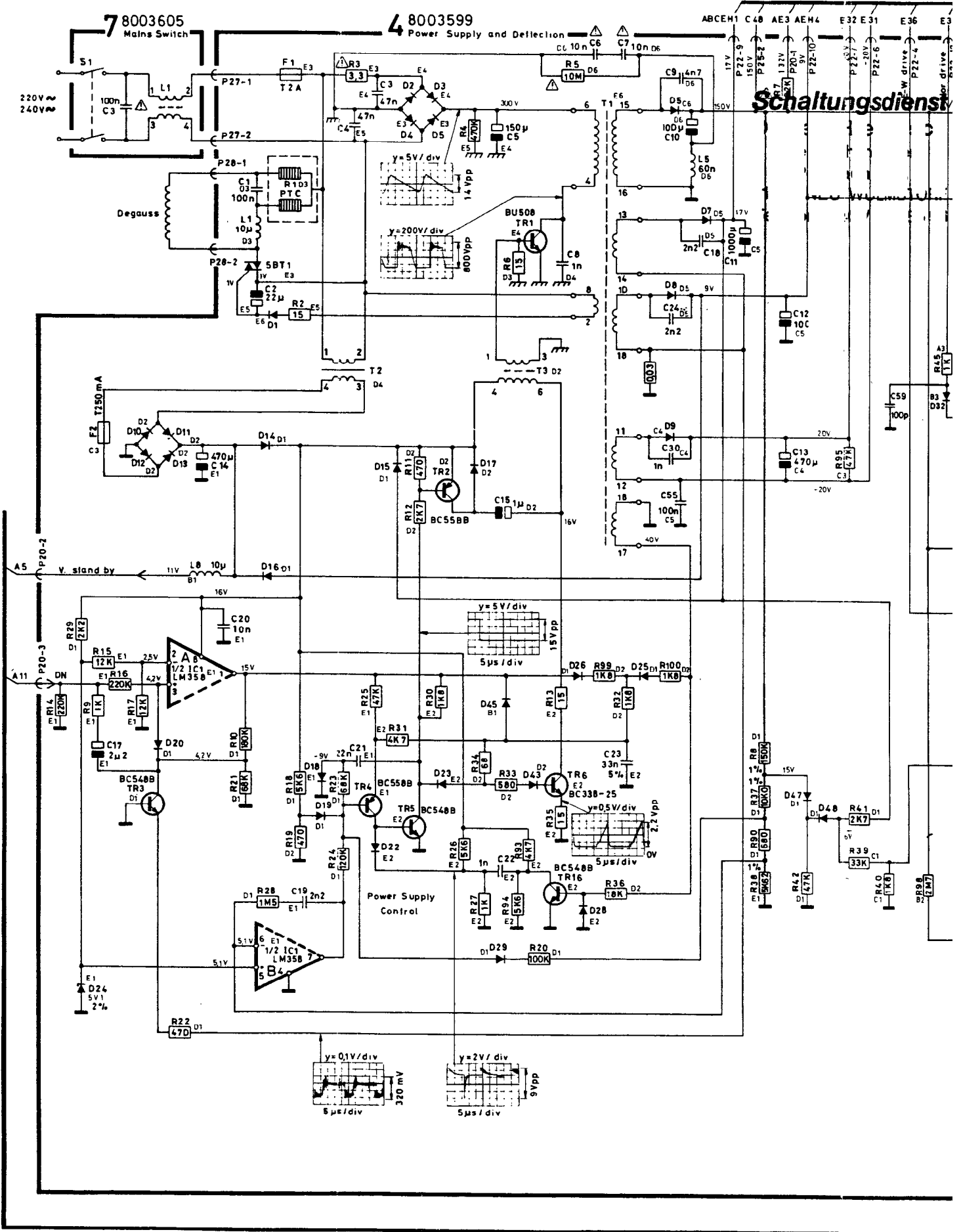


(X)

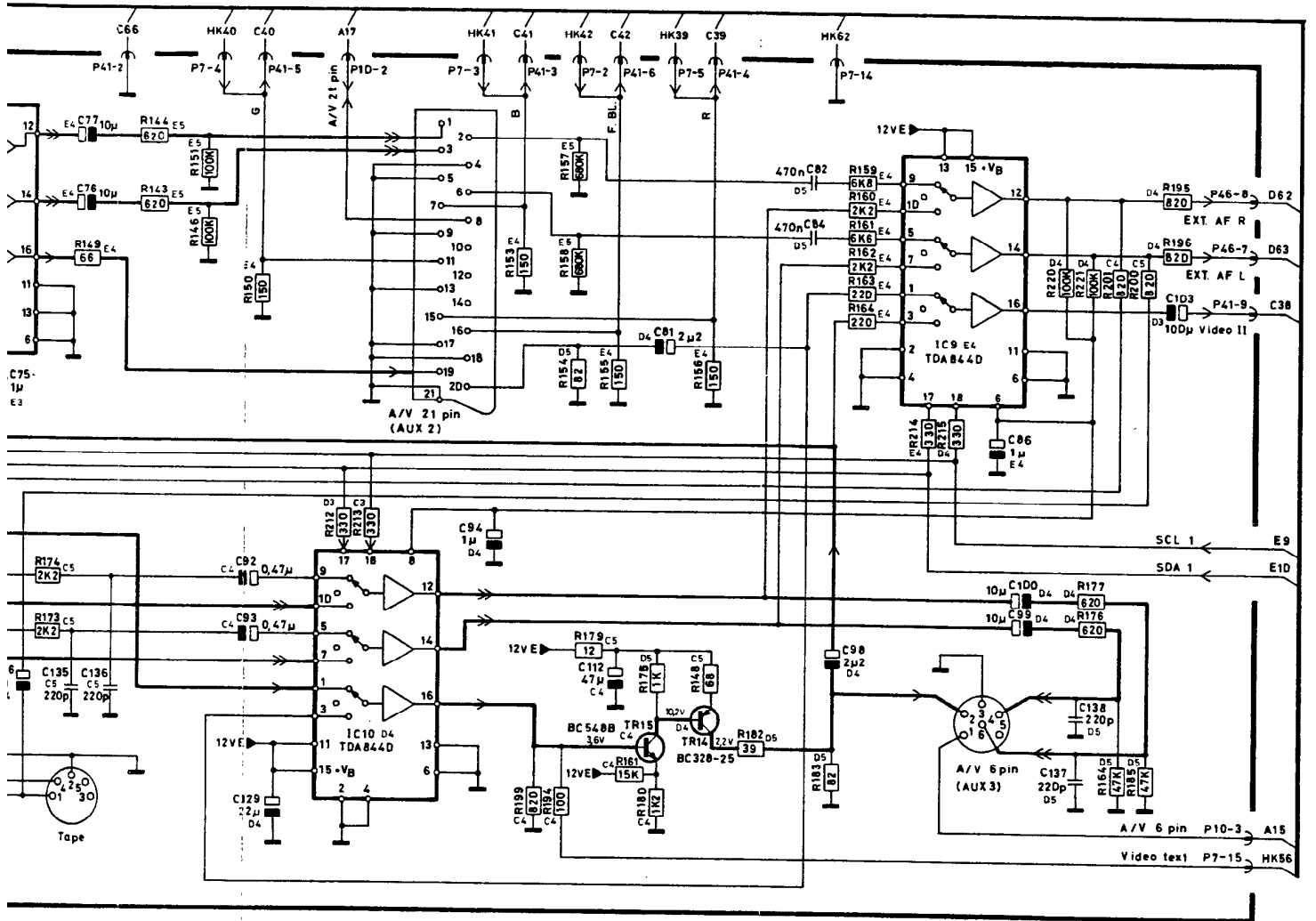


25 8003722  
Antiope Supply

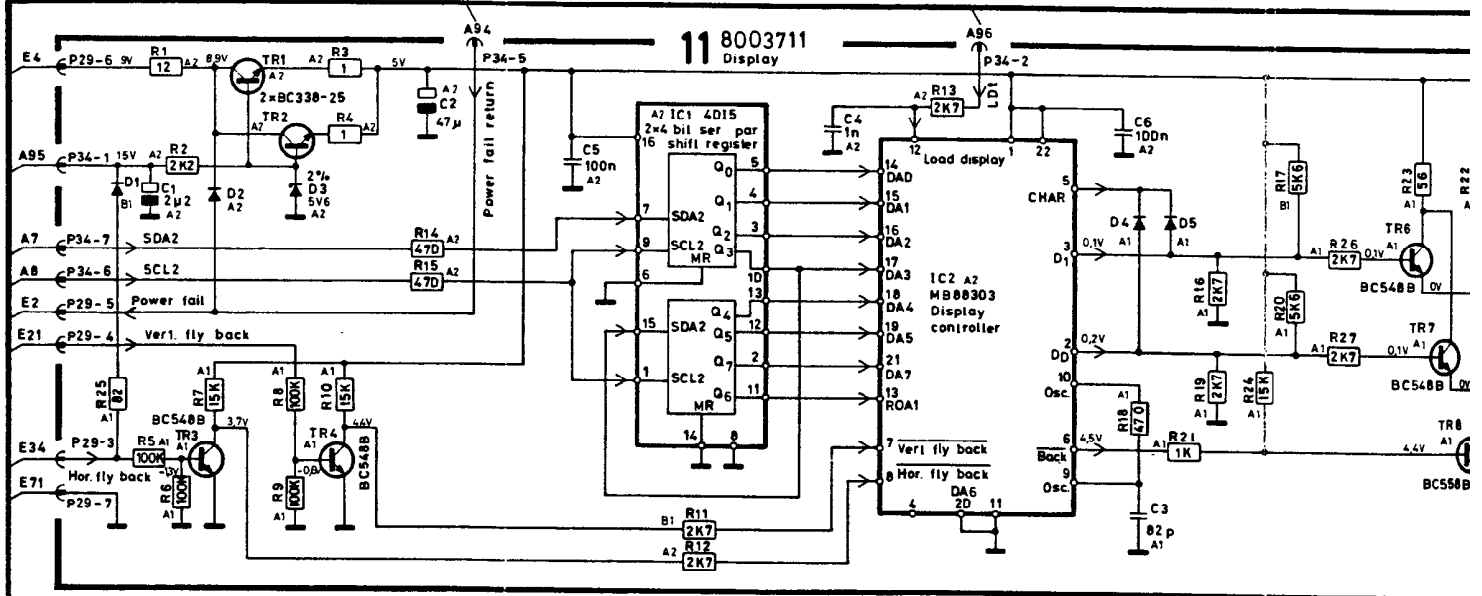
DIAGRAM F POWER SUPPLY, DEFLECTION (4T5 = type DST C79 (C86) or 46000 1xxx)



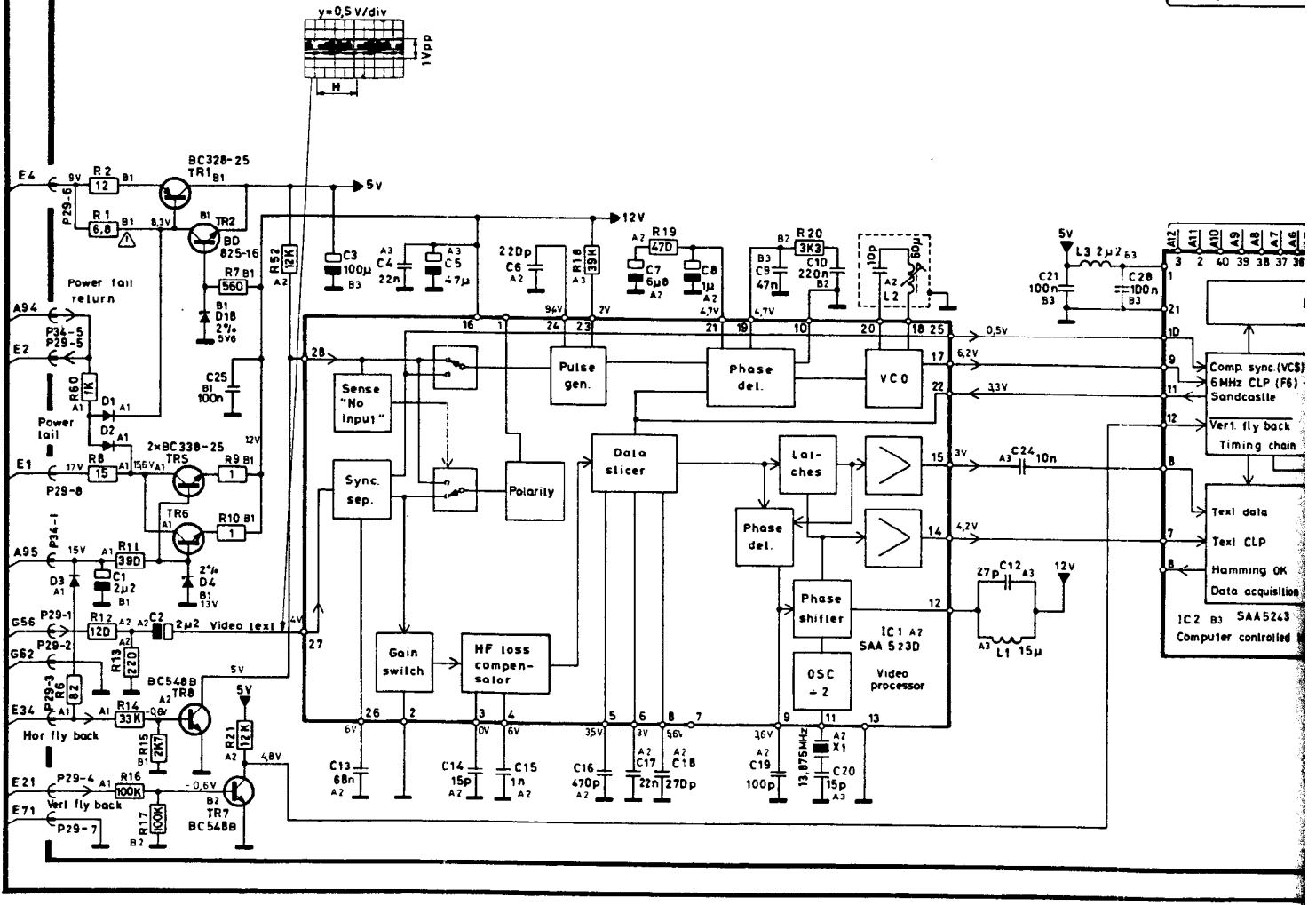
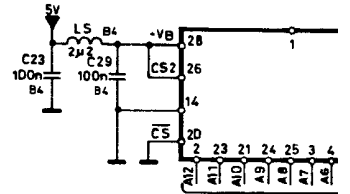




**DIAGRAM H TELETEXT DECODER, DISPLAY (PCB11 can be in the set only if there is no teletext decoder)**

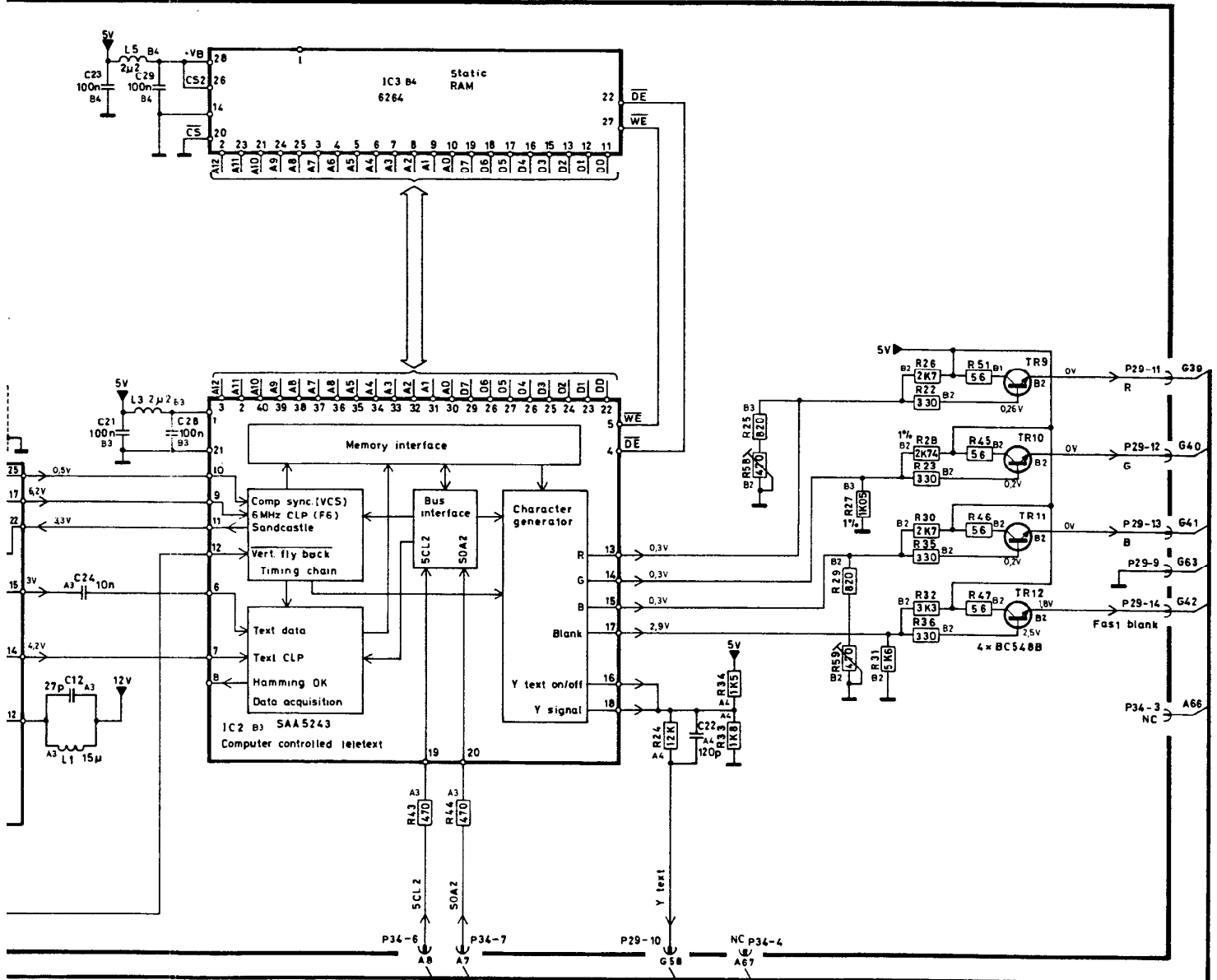
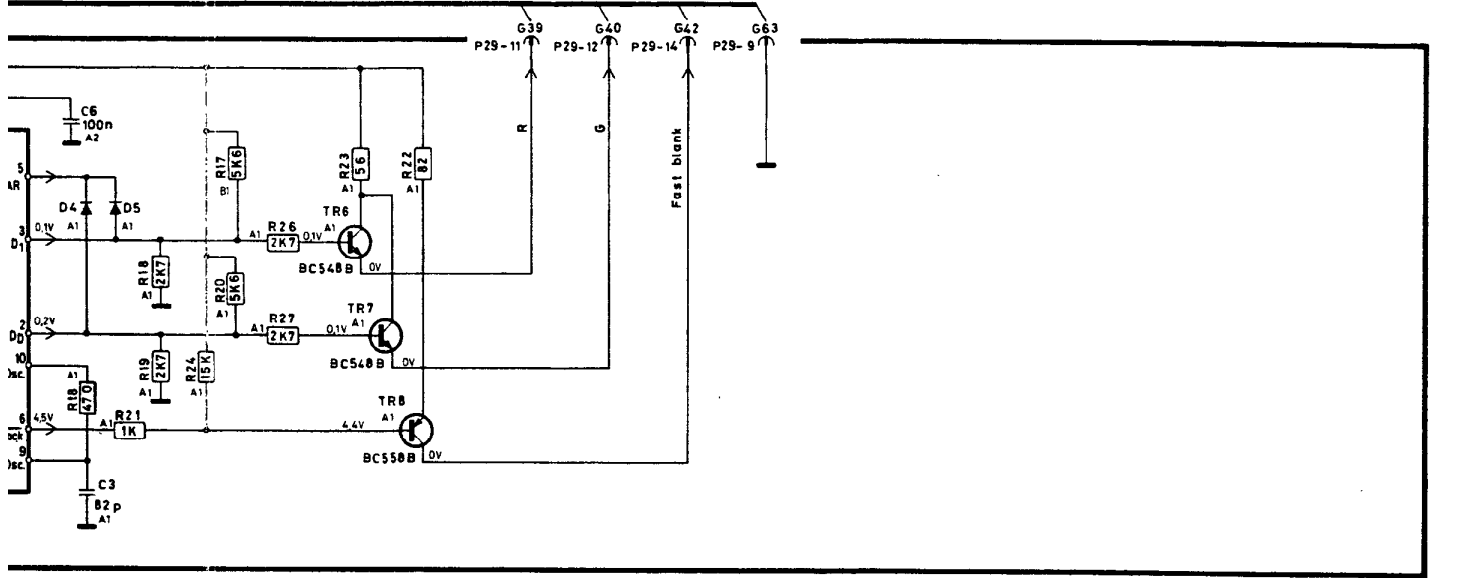


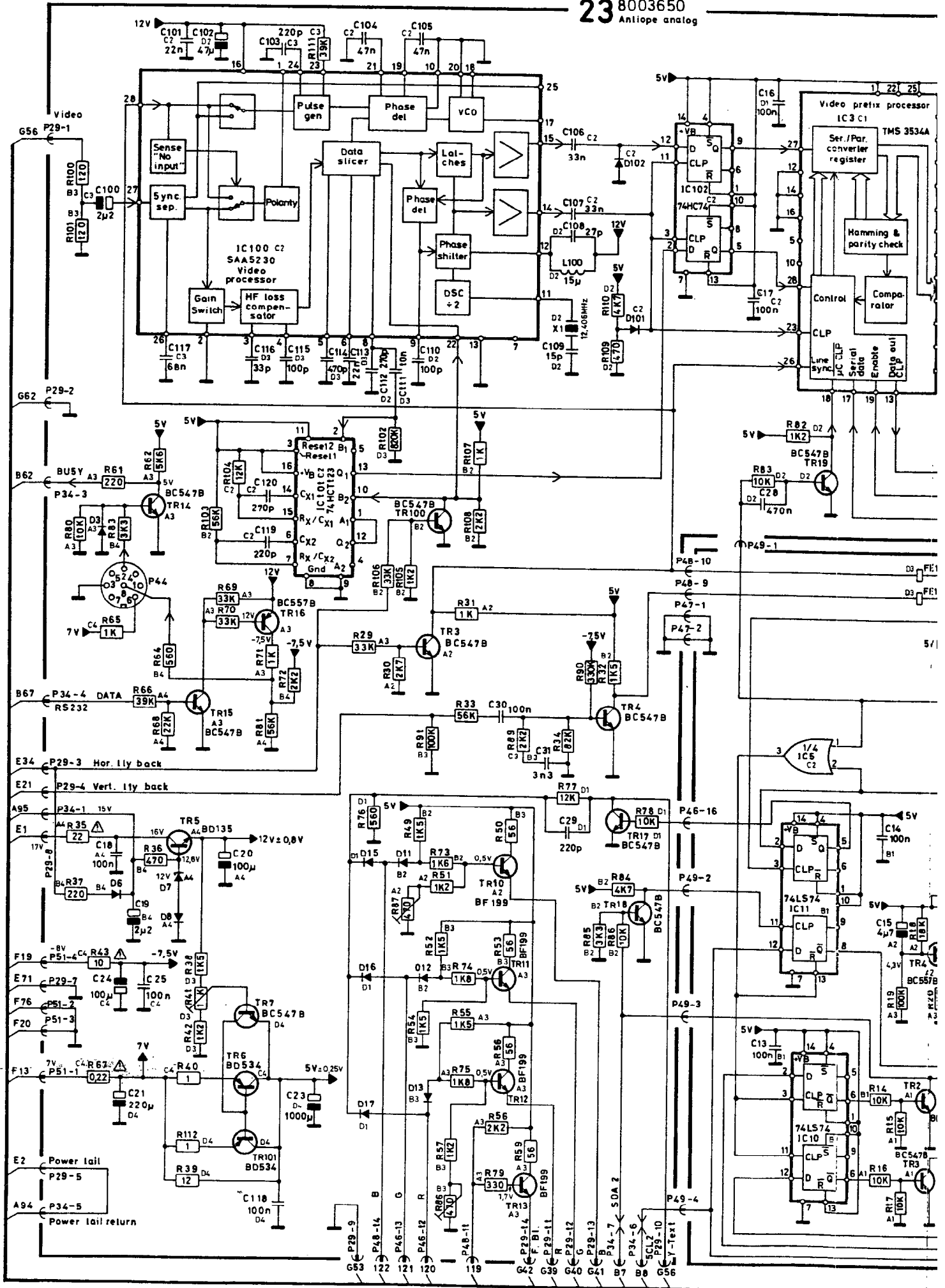
**57 8003961 5 language 8 page**  
Teletext





it decoder)







50 GB = 8930130  
 F = 8930140  
 I = 8930150  
 Beolink 1000 terminal

