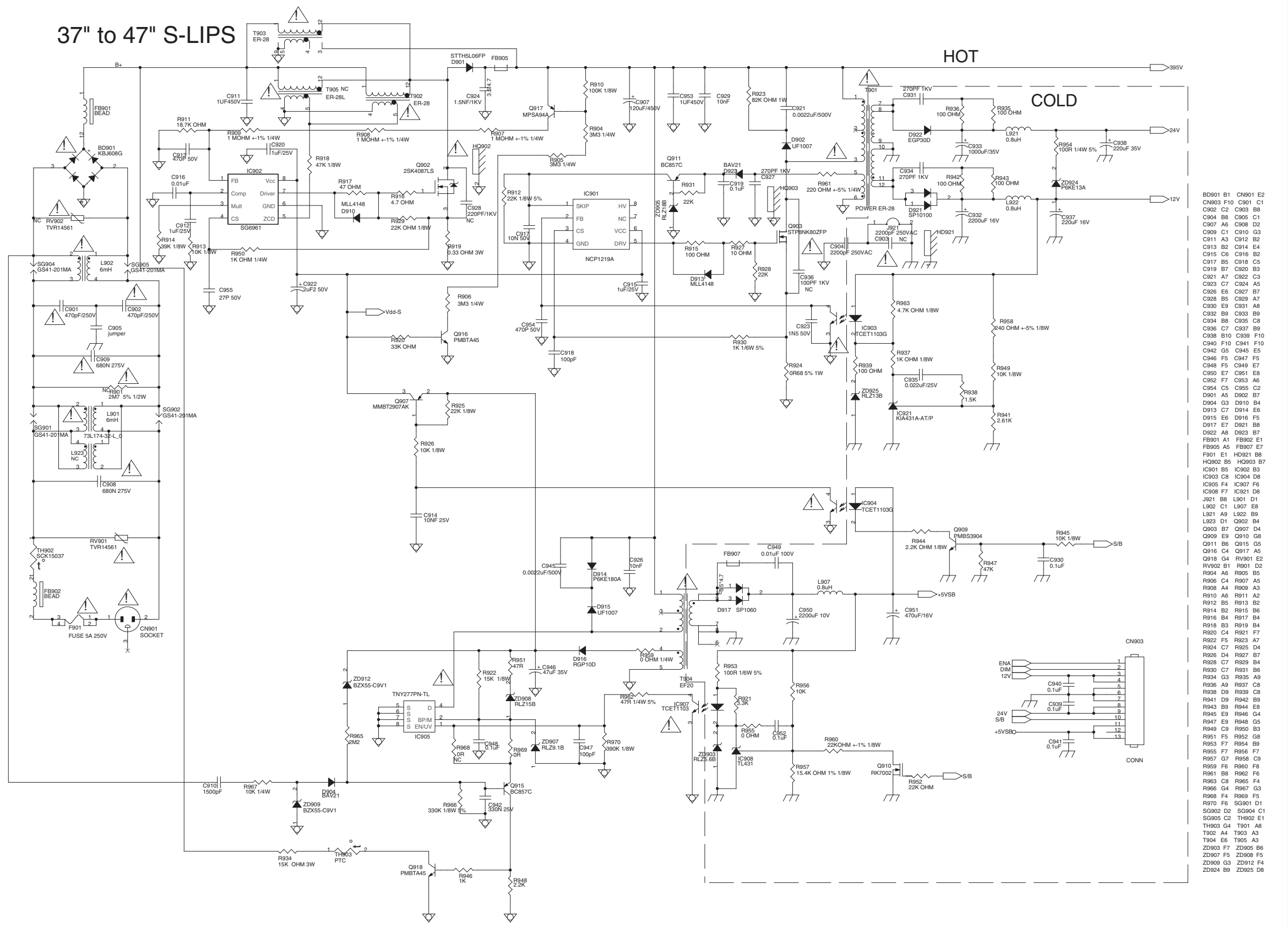
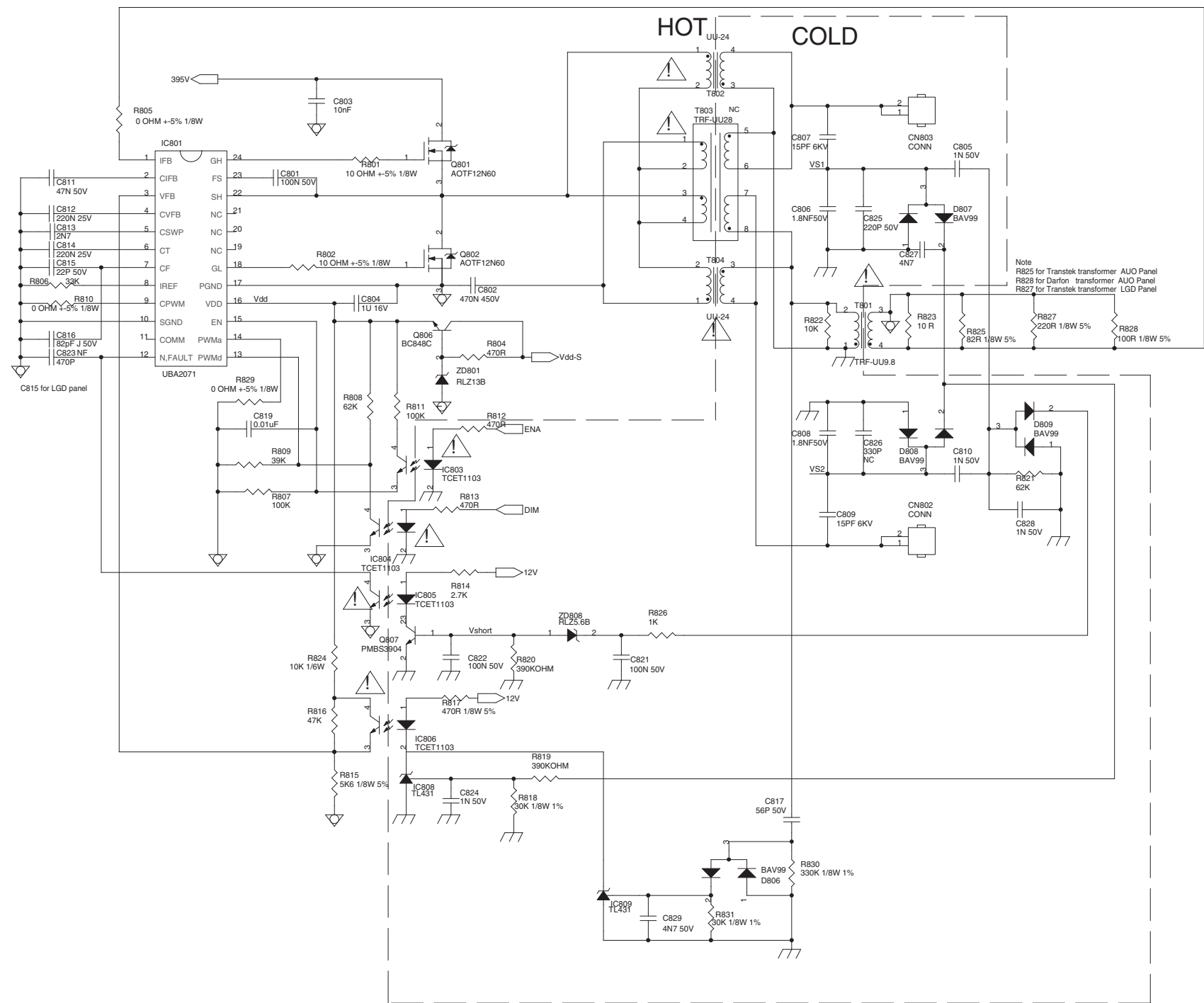


# 37" to 47" S-LIPS

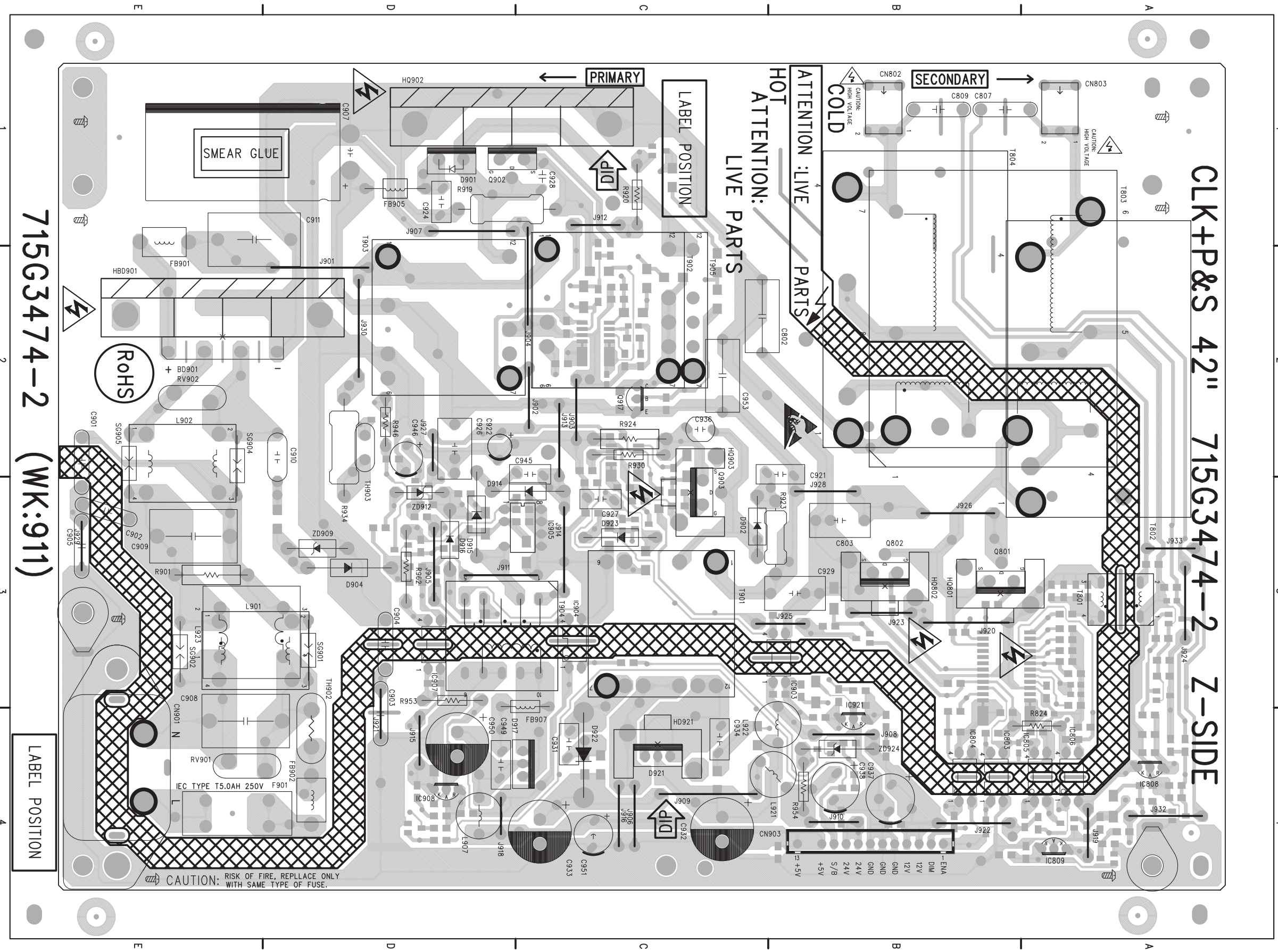


- BD901 B1
- CN903 F10
- C902 C2
- C904 B8
- C907 A6
- C909 C1
- C911 A3
- C913 B2
- C915 C6
- C917 B5
- C919 B7
- C921 A7
- C923 C7
- C926 E6
- C928 B5
- C930 E9
- C932 B9
- C934 B8
- C936 C7
- C938 B10
- C940 F10
- C942 G5
- C946 F5
- C948 F5
- C950 E7
- C952 F7
- C954 C5
- D901 A5
- D904 G3
- D913 C7
- D915 E6
- D917 E7
- D922 A8
- FB901 A1
- FB905 A5
- FB907 E7
- FB909 E1
- FB921 E8
- HC902 B5
- IC901 B5
- IC903 C8
- IC904 D8
- IC905 F4
- IC907 F6
- IC908 F7
- JS21 B8
- L902 C1
- L921 A9
- L923 D1
- Q903 B7
- Q909 E9
- Q911 B6
- Q916 C4
- Q918 G4
- RV902 B1
- RV904 A6
- RV906 C4
- RV908 A4
- RV910 A6
- RV912 B5
- RV914 B2
- RV916 B4
- RV918 B3
- RV920 C4
- RV922 F5
- RV924 C7
- RV926 D4
- RV928 C7
- RV930 C7
- RV934 G3
- RV936 A9
- RV938 D9
- RV941 D9
- RV943 B9
- RV945 E9
- RV947 E9
- RV949 C9
- RV951 F5
- RV953 F7
- RV955 F7
- RV957 G7
- RV959 F6
- RV961 B6
- RV963 C8
- RV966 G4
- RV968 F4
- RV970 F6
- SG902 D2
- SG904 C1
- SG905 C2
- TH902 E1
- TH903 G4
- T901 A8
- T902 A4
- T904 E6
- ZD903 F7
- ZD907 F5
- ZD909 G3
- ZD912 F4
- ZD924 B9
- CN901 E2
- C903 B9
- C905 C1
- C908 D2
- C910 G3
- C912 B2
- C914 E4
- C916 B2
- C918 C5
- C920 B3
- C922 C3
- C924 A5
- C927 B7
- C929 A7
- C931 A8
- C933 B9
- C935 C8
- C937 B9
- C939 F10
- C941 F10
- C945 E5
- C947 F5
- C949 E7
- C951 E8
- C953 A6
- C955 C2
- D902 B7
- D910 B4
- D914 E6
- D916 F5
- D921 B8
- D923 B7
- FB902 E1
- FB907 E7
- HC903 B7
- IC902 B3
- IC904 D8
- IC907 F6
- IC921 D8
- L901 D1
- L907 E8
- L922 B9
- L924 B4
- Q907 D4
- Q910 G8
- Q915 G5
- Q917 A5
- RV901 E2
- RV902 B1
- RV905 B5
- RV907 A5
- RV909 A3
- RV911 A2
- RV913 B2
- RV915 B6
- RV917 B4
- RV919 B4
- RV921 F7
- RV923 A7
- RV925 D4
- RV927 B7
- RV929 B4
- RV931 B6
- RV933 A9
- RV935 A9
- RV937 C8
- RV939 C8
- RV942 B9
- RV944 E8
- RV946 G4
- RV948 G5
- RV950 B3
- RV952 G6
- RV954 B9
- RV956 F7
- RV958 C9
- RV960 F8
- RV962 F6
- RV964 F4
- RV967 G3
- RV969 F5
- RV971 D1
- SG901 D1
- SG904 C1
- TH902 E1
- T901 A8
- T903 A3
- T905 A3
- ZD905 B6
- ZD907 F5
- ZD908 F5
- ZD912 F4
- ZD924 B9

# Inverter



- CN802 D8
- CN803 B8
- C801 B4
- C802 C5
- C803 B4
- C804 C4
- C805 B8
- C806 B7
- C807 B7
- C808 D7
- C809 D7
- C810 D8
- C811 B2
- C812 B2
- C813 B2
- C814 B2
- C815 C2
- C816 C2
- C817 F7
- C819 D4
- C821 E6
- C822 E5
- C823 C2
- C824 F5
- C825 B7
- C826 D7
- C827 B8
- C828 D8
- C829 F6
- D806 F6
- D807 B8
- D808 D8
- D809 C8
- IC801 B3
- IC803 D5
- IC804 D4
- IC805 E4
- IC806 E4
- IC808 F5
- IC809 F6
- Q801 B5
- Q802 B5
- Q806 C5
- Q807 E5
- R801 B4
- R802 C4
- R804 C5
- R805 B3
- R806 C2
- R807 D4
- R808 C4
- R809 D4
- R810 C2
- R811 C5
- R812 D5
- R813 D5
- R814 D5
- R815 F4
- R816 E4
- R817 E5
- R818 F5
- R819 F5
- R820 E5
- R821 D8
- R822 C7
- R823 C8
- R824 E4
- R825 C8
- R826 E6
- R827 C8
- R828 C9
- R829 C4
- R830 F7
- R831 F6
- T801 C7
- T802 A6
- T803 B6
- T804 C6
- ZD801 C5
- ZD808 E6



BD901	E2	J910	B4
C802	B2	J911	C3
C803	B3	J912	C2
C807	A1	J913	C3
C809	B1	J914	C3
C901	E3	J915	D4
C902	E3	J916	C4
C903	D4	J918	C4
C904	D4	J919	A4
C905	E3	J920	A3
C907	D1	J921	D4
C908	D4	J922	A4
C909	E3	J923	B3
C910	D3	J924	A3
C911	D2	J925	B3
C921	B3	J926	A3
C922	C3	J927	D3
C924	D1	J928	B3
C926	D3	J929	E3
C927	C3	J930	D2
C928	C1	J932	A4
C929	B3	J933	A3
C931	C4	L901	D4
C932	B4	L902	E3
C933	C4	L907	C4
C934	B4	L921	B4
C936	C3	L922	B4
C937	B4	L923	D3
C938	B4	Q801	A3
C945	C3	Q802	B3
C946	D3	Q902	C1
C949	C4	Q903	C3
C950	D4	Q917	C2
C951	C4	R824	A4
C953	B2	R901	E3
CN802	B1	R919	C1
CN803	A1	R920	C1
CN901	E4	R923	B3
CN903	B4	R924	C3
D901	D1	R930	C3
D902	B3	R934	D3
D904	D3	R946	D2
D914	C3	R953	D4
D915	C3	R954	B4
D916	D3	R962	D3
D917	C4	RV901	D4
D921	C4	RV902	E2
D922	C4	SG901	D4
D923	C3	SG902	E4
F901	E4	SG904	E3
FB901	E2	SG905	E3
FB902	D4	T801	A3
FB905	D1	T802	A2
FB907	C4	T803	A2
HBD901	E2	T804	B2
HD921	C4	T901	B3
HQ801	A3	T902	C2
HQ802	B3	T903	D2
HQ902	C1	T904	C4
HQ903	C3	T905	C2
IC803	A4	TH902	D4
IC804	A4	TH903	D3
IC805	A4	ZD909	D3
IC806	A4	ZD912	D3
IC808	A4	ZD924	B4
IC809	A4		
IC903	B4		
IC904	C4		
IC905	C3		
IC907	D4		
IC908	D4		
IC921	B4		
J901	D2		
J902	C2		
J903	C2		
J904	C2		
J905	D3		
J906	C4		
J907	D2		
J908	B4		
J909	C4		