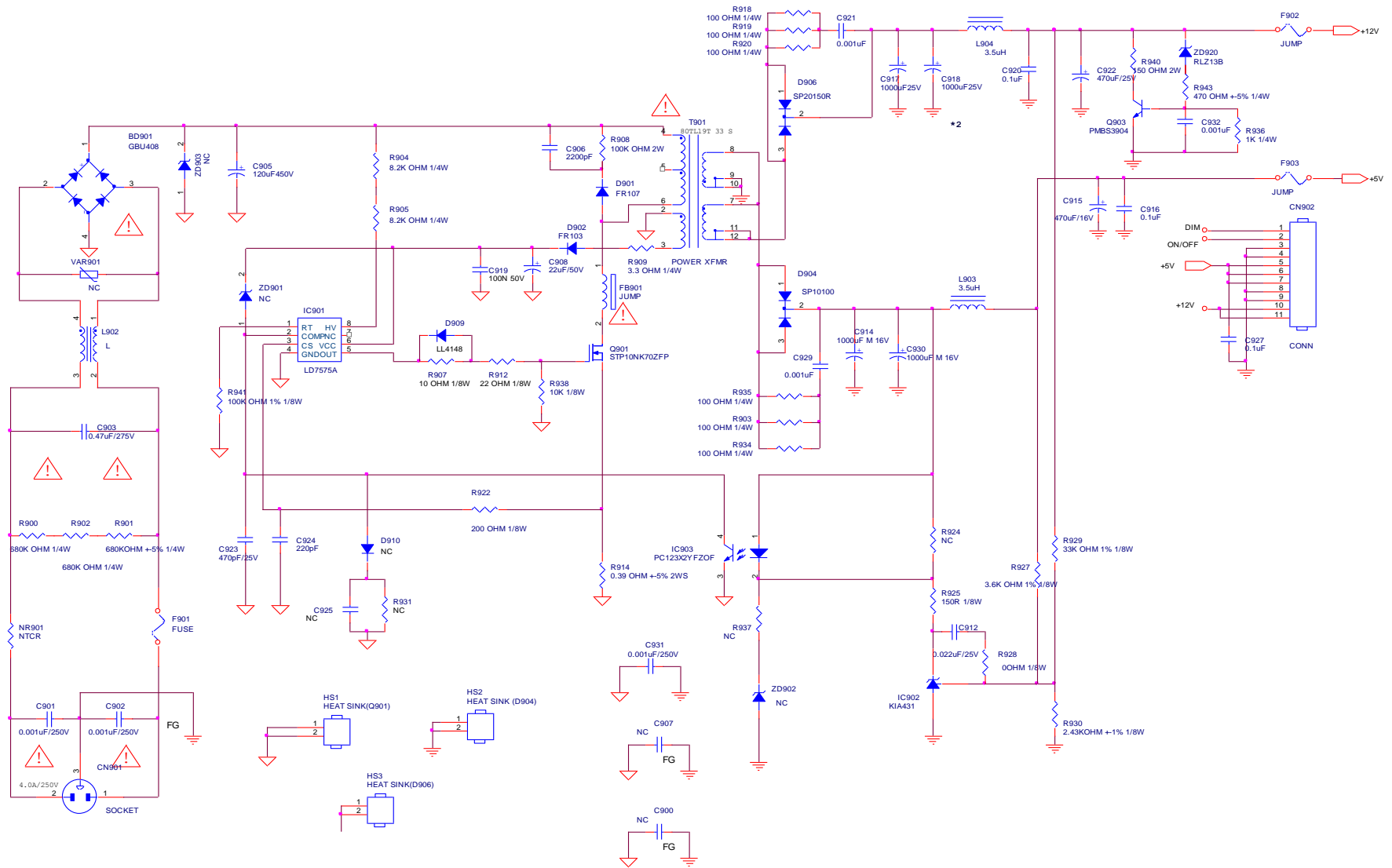
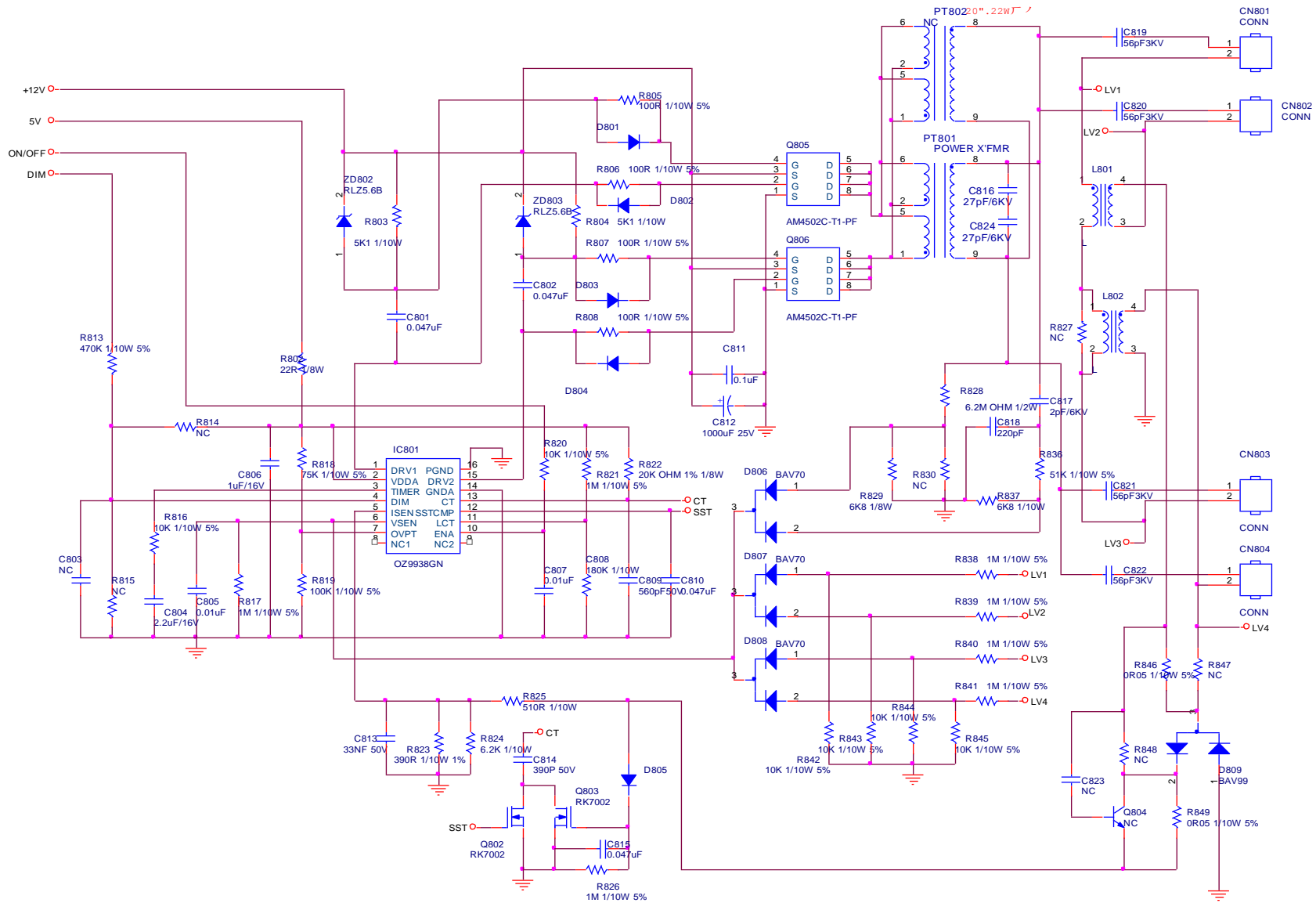


电源板



T P V (Top Victory Electronics Co., Ltd.)	OEM MODEL	Size	A3
经 瓜 瓜 瓜 瓜	TPV MODEL	Rev	1B
Key Component	PCB NAME	Sheet	<标签>
Date	Thursday, February 28, 2008	2 of 3	



TPV (Top Victory Electronics Co., Ltd.)		OEM MODEL	Size	B
新隔瓜銅版		TPV MODEL	PWTV7941MYD1	Rev
Key Component	03.INVERTER	PCB NAME	715T2783 1 5	称家
Date	Thursday, February 28, 2008	Sheet	1 of 3	<称家>